

Wiring Guide

LVPC-DIM to Visa Lighting Patient-Room Lights

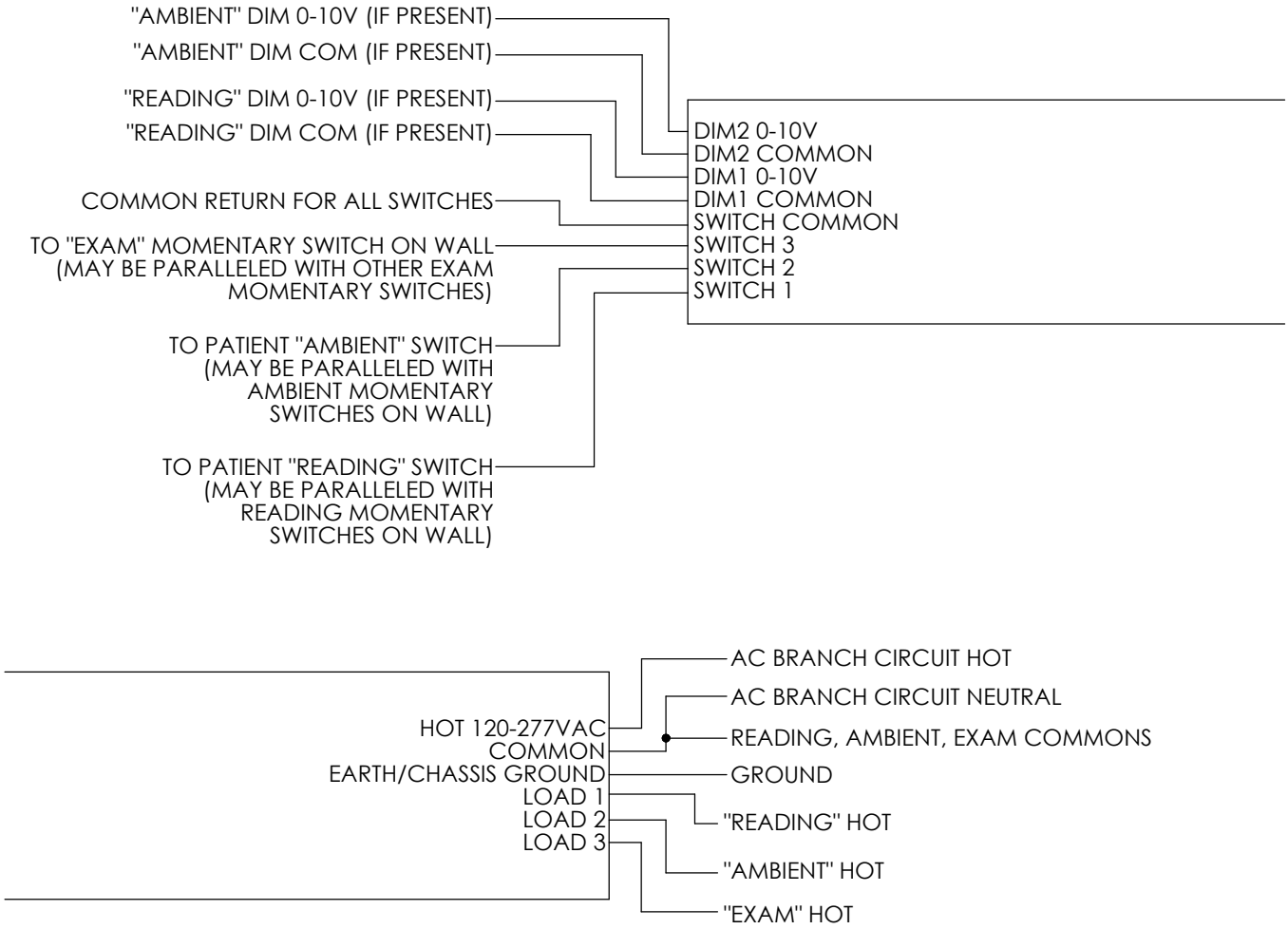
Sheet 1: Overbed fixtures

Sheet 2: Headwall fixtures



SEE USER GUIDE (DOC NO. 762007XX) INCLUDED WITH CONTROLLER FOR INSTALLATION AND OPERATION INSTRUCTIONS. THIS DOES NOT REPLACE THE USER GUIDE AND INSTRUCTIONS IN BOTH DOCUMENTS MUST BE FOLLOWED.

Unity and Serenity **Ceiling-Mounted** multi-function fixtures



Mode Switch Selection Options - Ceiling Mount Multifunction Fixtures Only			
Configuration	Controller Mode	Switch 3 first press function	Switch 3 next press function
Exam HIGH	1	Turns Reading, Ambient, and Exam all on.	Exam off. Reading and Ambient return to previous on/off state
Exam MEDIUM	2	Turns loads Ambient and Exam on, turns Reading off	
Exam LOW	3	Turns Exam on, turns Reading and Ambient off.	Exam off.
Exam SEPARATE	4	Turns Exam on, no change to Reading and Ambient.	

IMPORTANT GUIDELINES

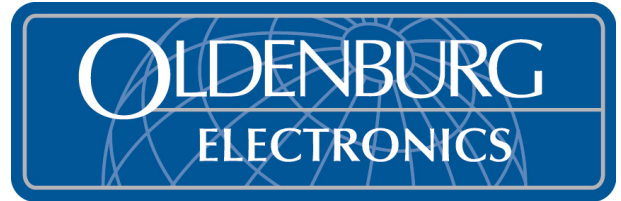
- DO NOT CONNECT ANY FIXTURE FUNCTION TO MORE THAN ONE CONTROLLER LOAD OUTPUT.
- DO NOT CONNECT ANY MORE THAN 3 BALLASTS OR DRIVERS TO ANY ONE CONTROLLER LOAD OUTPUT, EVEN IF THE TOTAL CURRENT WILL BE LESS THAN THE MAXIMUM RATED CURRENT.
- DO NOT CONNECT DIMMING TERMINALS OF CONTROLLER TO BALLASTS OR DRIVERS THAT DO NOT HAVE 0-10V DIMMING INPUTS.
- Non-dimmable ballasts or drivers may be used with the controller, but the dimming function of the controller will have no effect. On/Off control will still be enabled for momentary switch presses.**
- Standard (maintained) AC wall switches should be used to control any fixture functions other than those shown above.

Wiring Guide

LVPC-DIM to Visa Lighting Patient-Room Lights

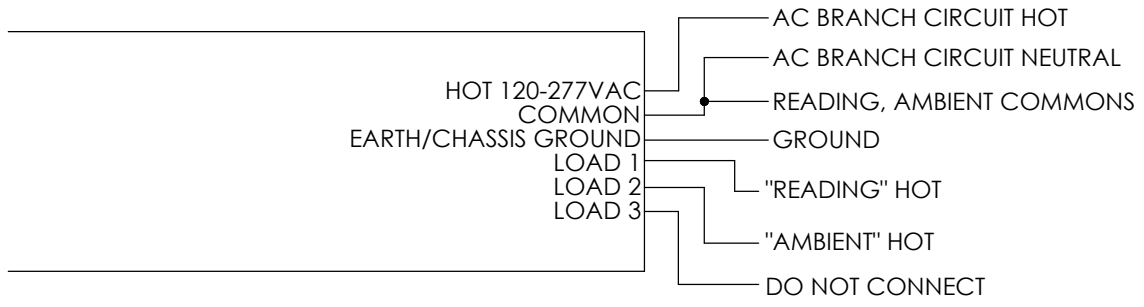
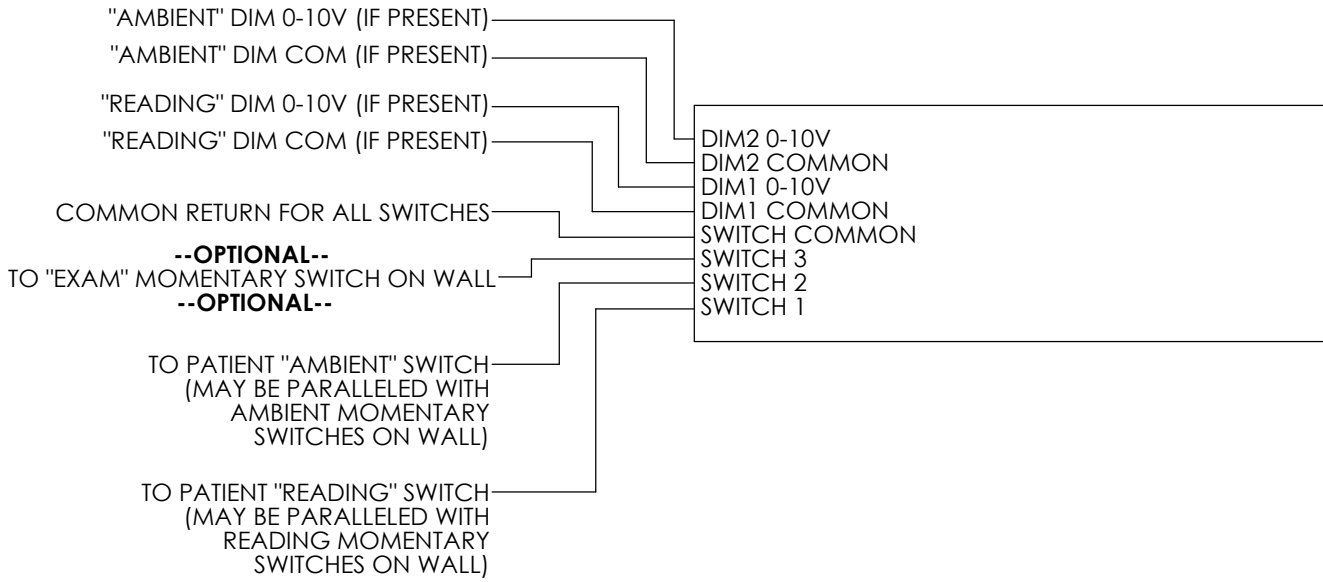
Sheet 1: Overbed fixtures

Sheet 2: Headwall fixtures



SEE USER GUIDE (DOC NO. 762007XX) INCLUDED WITH CONTROLLER FOR INSTALLATION AND OPERATION INSTRUCTIONS. THIS DOES NOT REPLACE THE USER GUIDE AND INSTRUCTIONS IN BOTH DOCUMENTS MUST BE FOLLOWED.

Unity and Serenity **Headwall-Mounted** dual-function fixtures



Mode Switch Selection - Headwall Dual-Function Fixtures Only		
Is an EXAM switch being used?	Mode setting	Action when EXAM switch is pressed
Yes	Set switches to Mode 1	Reading and Ambient will turn on and go to full output. They will return to their previous on/off state when EXAM switch is pressed again.
No	Set switches to any mode	Not applicable - no exam switch used.

IMPORTANT GUIDELINES

- DO NOT CONNECT ANY FIXTURE FUNCTION TO MORE THAN ONE CONTROLLER LOAD OUTPUT.
- DO NOT CONNECT ANY MORE THAN 3 BALLASTS OR DRIVERS TO ANY ONE CONTROLLER LOAD OUTPUT, EVEN IF THE TOTAL CURRENT WILL BE LESS THAN THE MAXIMUM RATED CURRENT.
- DO NOT CONNECT DIMMING TERMINALS OF CONTROLLER TO BALLASTS OR DRIVERS THAT DO NOT HAVE 0-10V DIMMING INPUTS.
- Non-dimmable ballasts or drivers may be used with the controller, but the dimming function of the controller will have no effect. On/Off control will still be enabled for momentary switch presses.**
- Standard (maintained) AC wall switches should be used to control any fixture functions other than those shown above.

Document No.: 762011XX

Rev: A

Date: 12/30/2014

Eng: CMG

Sheet: 2 of 2