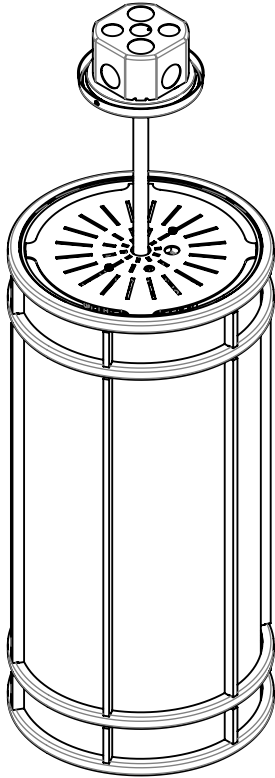


INSTALLATION INSTRUCTIONS

Model: CP4341, 4343, 4345, 4347, 4349, 4351, 4901, 4911
Fixture Family: Cylinder/Midland Arts LED
Document Description: Installation Instructions for Cylinder/Midland Arts LED
LED Series Luminaires

VISA LIGHTING
AN OLDENBURG GROUP COMPANY
1717 West Civic Drive Milwaukee, WI 53209
414-354-6600
Design Modification Rights Reserved
© Visa Lighting 2015



CYLINDER/MIDLAND ARTS LED

CP4341
CP4343
CP4345
CP4347
CP4349
CP4351
CP4901
CP4911

*VIEW SHOWN MAY VARY

SPECIAL NOTE: INSTRUCTION PACKET HAS MULTIPLE PAGES, READ CAREFULLY AS INSTRUCTIONS MAY DIFFER DEPENDING ON OPTIONS ORDERED

Pg 2 - Installation Instructions

Pg 3 - General Maintenance features - access to internal components

Drawing: 762042XX

Rev: B

Sheet: 1 of 3

Eng: TPK

Date Drawn: 2/6/17

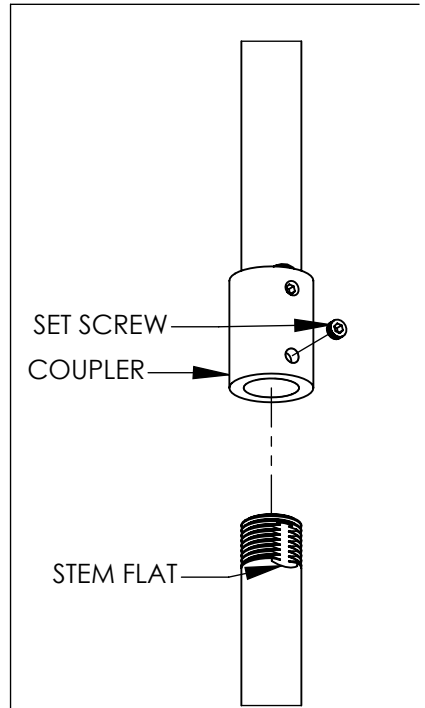
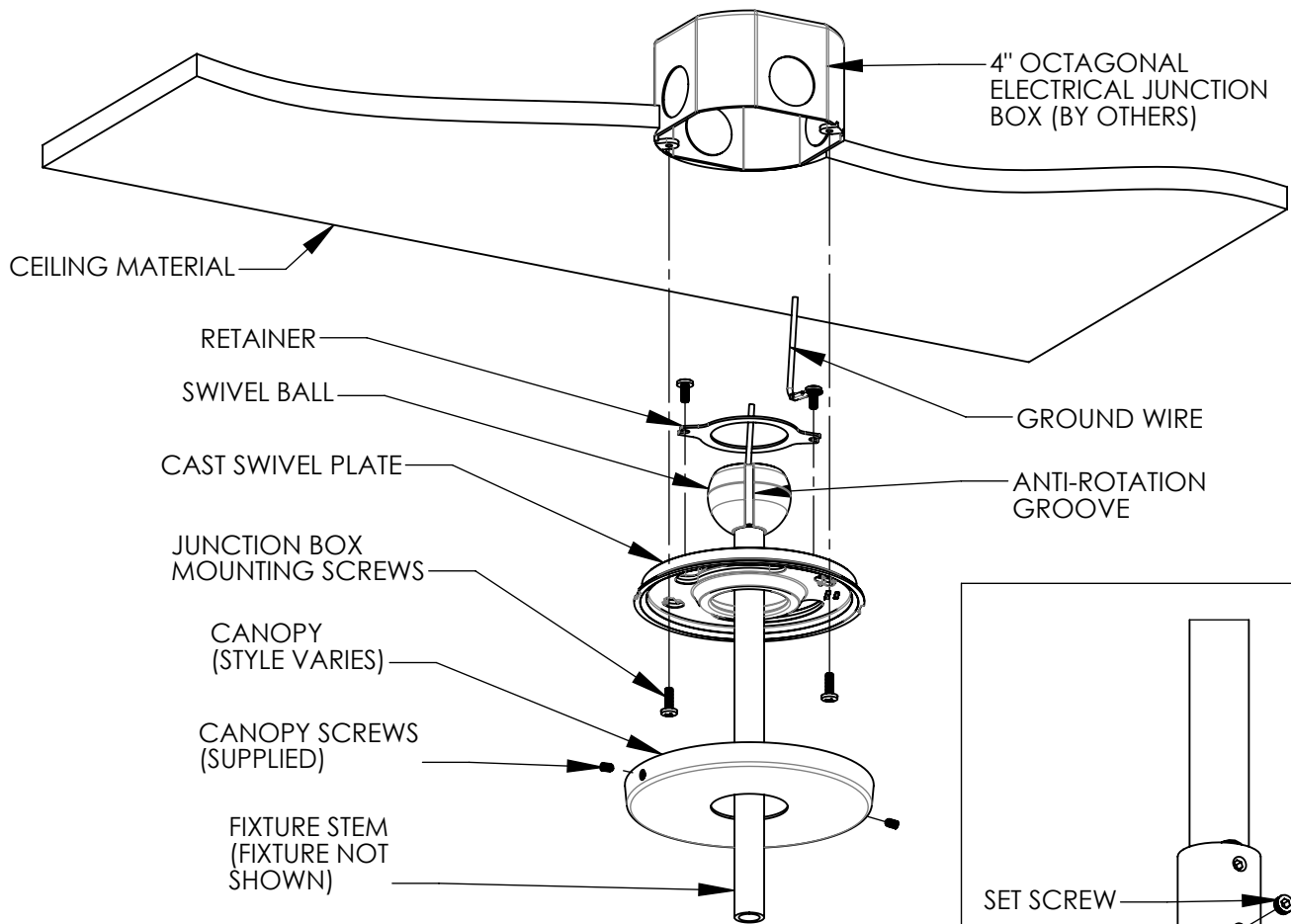
! When using electrical equipment, basic safety precautions should always be followed, including the following:

- Read all instructions carefully before installing and save for future use.
- Make sure all connections are in accordance with the National Electrical Code and local regulations.
- To avoid possible electric shock, be sure the power supply is turned off before servicing or installing the fixture.
- Service should be performed by qualified personnel.
- These instructions may not cover all details or variations. If additional information is needed, please contact Visa Lighting.

INSTALLATION INSTRUCTIONS

Model: **CP4341, 4343, 4345, 4347, 4349, 4351, 4901, 4911**
 Fixture Family: **Cylinder/Midland Arts LED**
 Document Description: **Installation Instructions for Cylinder/Midland Arts LED LED Series Luminaires**

VISA LIGHTING
 AN OLDENBURG GROUP COMPANY
 1717 West Civic Drive Milwaukee, WI 53209
 414-354-6600
 Design Modification Rights Reserved
 © Visa Lighting 2015



Instructions

- 1) Insert swivel ball/stem assembly through cast swivel plate and fasten swivel ball retainer & ground wire with screws provided.
- 2) Insert stem through canopy, pull fixture wires through stem and securely fasten stem to the fixture.
- 3) Fasten cast swivel plate to junction box with 8-32 screws provided.
- 4) Make all wire connections per local and national code.
- 5) Lift canopy in place and secure with screws provided.

For long overall mounting heights, attach the stem segments with supplied coupler. Align flats on stem to set screws and securely fasten.

Drawing: 762042XX

Rev: B

Sheet: 2 of 3

Eng: TPK

Date Drawn: 2/6/17

! When using electrical equipment, basic safety precautions should always be followed, including the following:

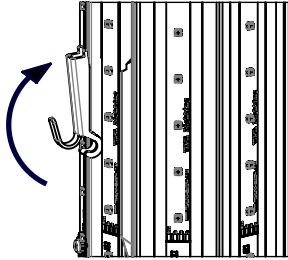
- Read all instructions carefully before installing and save for future use.
- Make sure all connections are in accordance with the National Electrical Code and local regulations.
- To avoid possible electric shock, be sure the power supply is turned off before servicing or installing the fixture.
- Service should be performed by qualified personnel.
- These instructions may not cover all details or variations. If additional information is needed, please contact Visa Lighting.

INSTALLATION INSTRUCTIONS

Model: CP4341, 4343, 4345, 4347, 4349, 4351, 4901, 4911
Fixture Family: Cylinder/Midland Arts LED
Document Description: Installation Instructions for Cylinder/Midland Arts LED
LED Series Luminaires

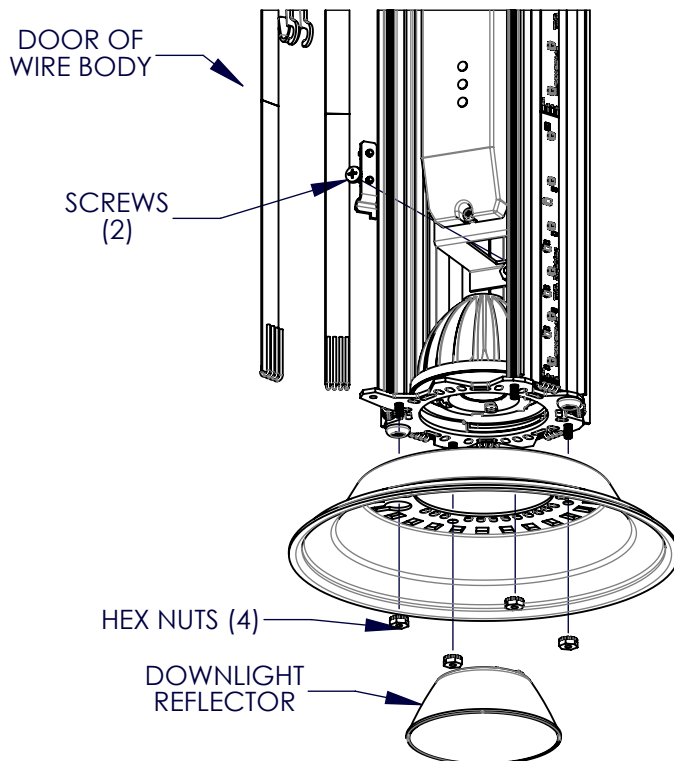
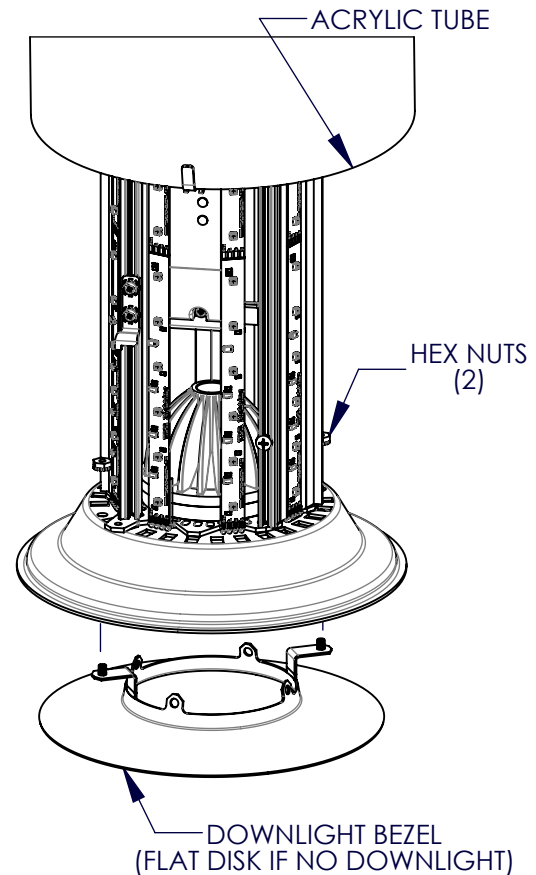
VISA LIGHTING
AN OLDENBURG GROUP COMPANY
1717 West Civic Drive Milwaukee, WI 53209
414-354-6600
Design Modification Rights Reserved
© Visa Lighting 2015

MAINTENANCE FEATURES



TUBE HOOK / DMX PORT

To support the Acrylic Tube for maintenance, lift the Acrylic Tube to access the Tube Hook. Swing the Tube Hook up and rest the Acrylic Tube on the Hook.



INSTRUCTIONS TO ACCESS INTERNAL COMPONENTS

- 1) See Tube Hook detail for supporting Acrylic Tube
- 2) Remove (2) Hex Nuts to remove Downlight Bezel
- 3) Twist Downlight Reflector counter clockwise to remove it
- 4) Remove (4) Hex Nuts to remove Tube Support
- 5) Remove (2) Hex Screws attaching the door of wire body and pivot it open

Drawing: 762042XX

Rev: B

Sheet: 3 of 3

Eng: TPK

Date Drawn: 2/6/17

When using electrical equipment, basic safety precautions should always be followed, including the following:

- Read all instructions carefully before installing and save for future use.
- Make sure all connections are in accordance with the National Electrical Code and local regulations.
- To avoid possible electric shock, be sure the power supply is turned off before servicing or installing the fixture
- Service should be performed by qualified personnel.
- These instructions may not cover all details or variations. If additional information is needed, please contact Visa Lighting.