

# INSTALLATION INSTRUCTIONS

Model: **CP4515, CP4517**  
Fixture Family: **SCHOOL HAUS**  
Document Description: Installation Instructions for  
LED Series Luminaires

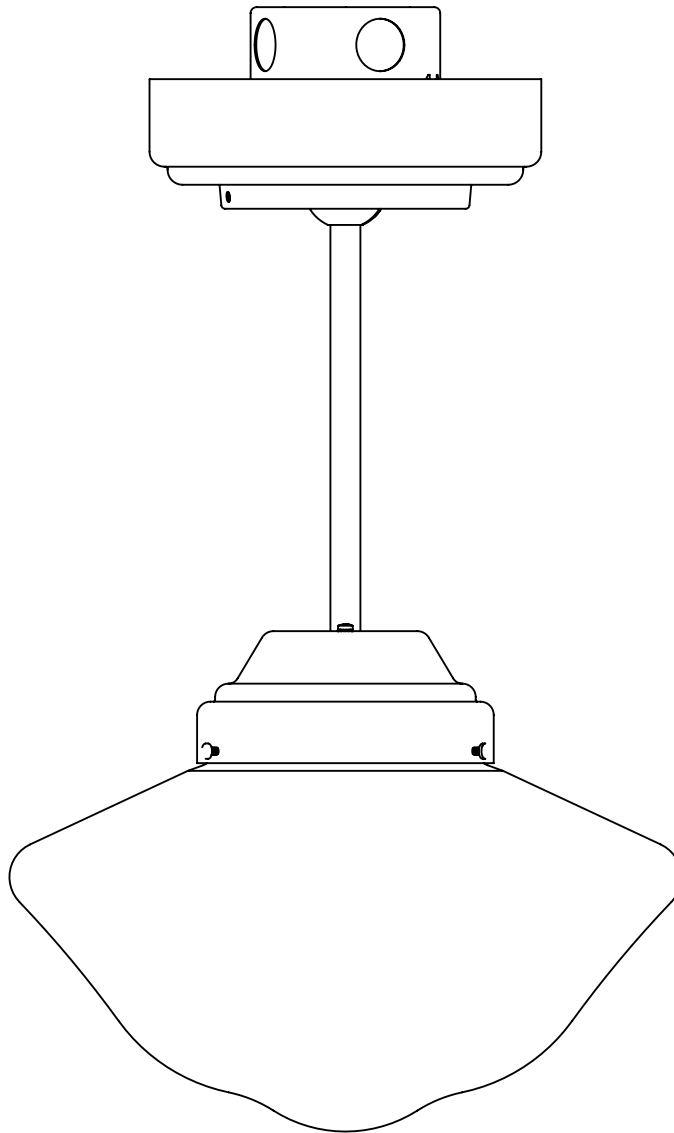
**VISA LIGHTING**  
AN OLDENBURG GROUP COMPANY  
1717 West Civic Drive Milwaukee, WI 53209  
414-354-6600  
Design Modification Rights Reserved  
© Visa Lighting

## School Haus LED

CP4515, CP4517

Sheet 2 - Typical fixture mounting

Sheet 3 - Installing swivel hanger stem



Drawing: 762057XX

Rev: A

Sheet: 1 of 3

Eng: AJM

Date Drawn: 8/15/16

**!** When using electrical equipment, basic safety precautions should always be followed, including the following:

- Read all instructions carefully before installing and save for future use.
- Make sure all connections are in accordance with the National Electrical Code and local regulations.
- To avoid possible electric shock, be sure the power supply is turned off before servicing or installing the fixture.
- Service should be performed by qualified personnel.
- These instructions may not cover all details or variations. If additional information is needed, please contact Visa Lighting.

# INSTALLATION INSTRUCTIONS

Model: CP4515, CP4517  
Fixture Family: SCHOOL HAUS  
Document Description: Installation Instructions for LED Series Luminaires

**VISA LIGHTING**  
AN OLDENBURG GROUP COMPANY  
1717 West Civic Drive Milwaukee, WI 53209  
414-354-6600  
Design Modification Rights Reserved  
© Visa Lighting

Drawing: 762057XX

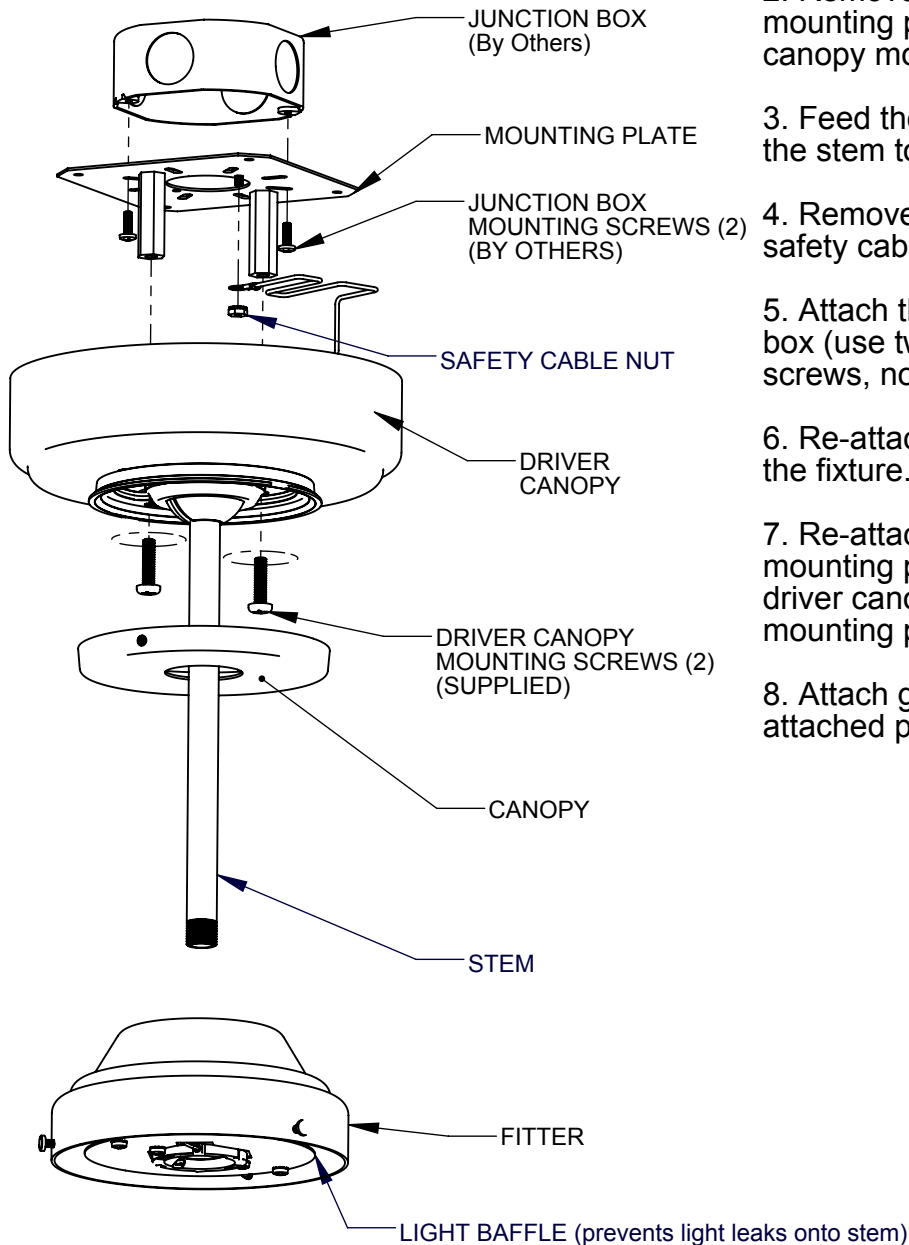
Rev: A

Sheet: 2 of 3

Eng: AJM

Date Drawn: 8/15/16

## Typical fixture mounting



## Instructions:

1. Install swivel hanger stem (see sheet 3).
2. Remove the driver canopy from the mounting plate (remove the two driver canopy mounting screws).
3. Feed the wires up the stem and attach the stem to the fitter.
4. Remove the safety cable (remove the safety cable nut).
5. Attach the mounting plate to the junction box (use two junction box mounting screws, not included).
6. Re-attach the safety cable and wire up the fixture.
7. Re-attach the driver canopy to the mounting plate (Align the two holes on the driver canopy with the standoffs on the mounting plate).
8. Attach glass to fitter using three pre-attached painted screws.

When using electrical equipment, basic safety precautions should always be followed, including the following:

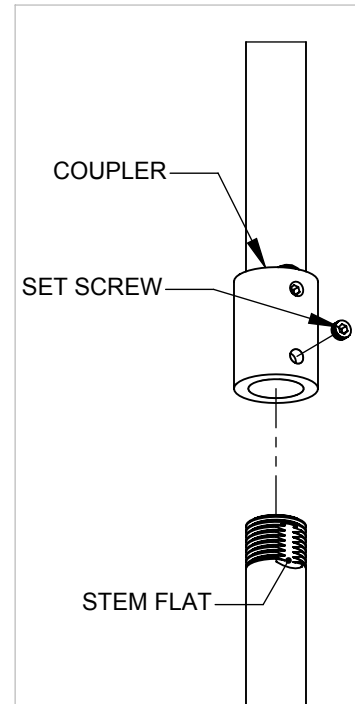
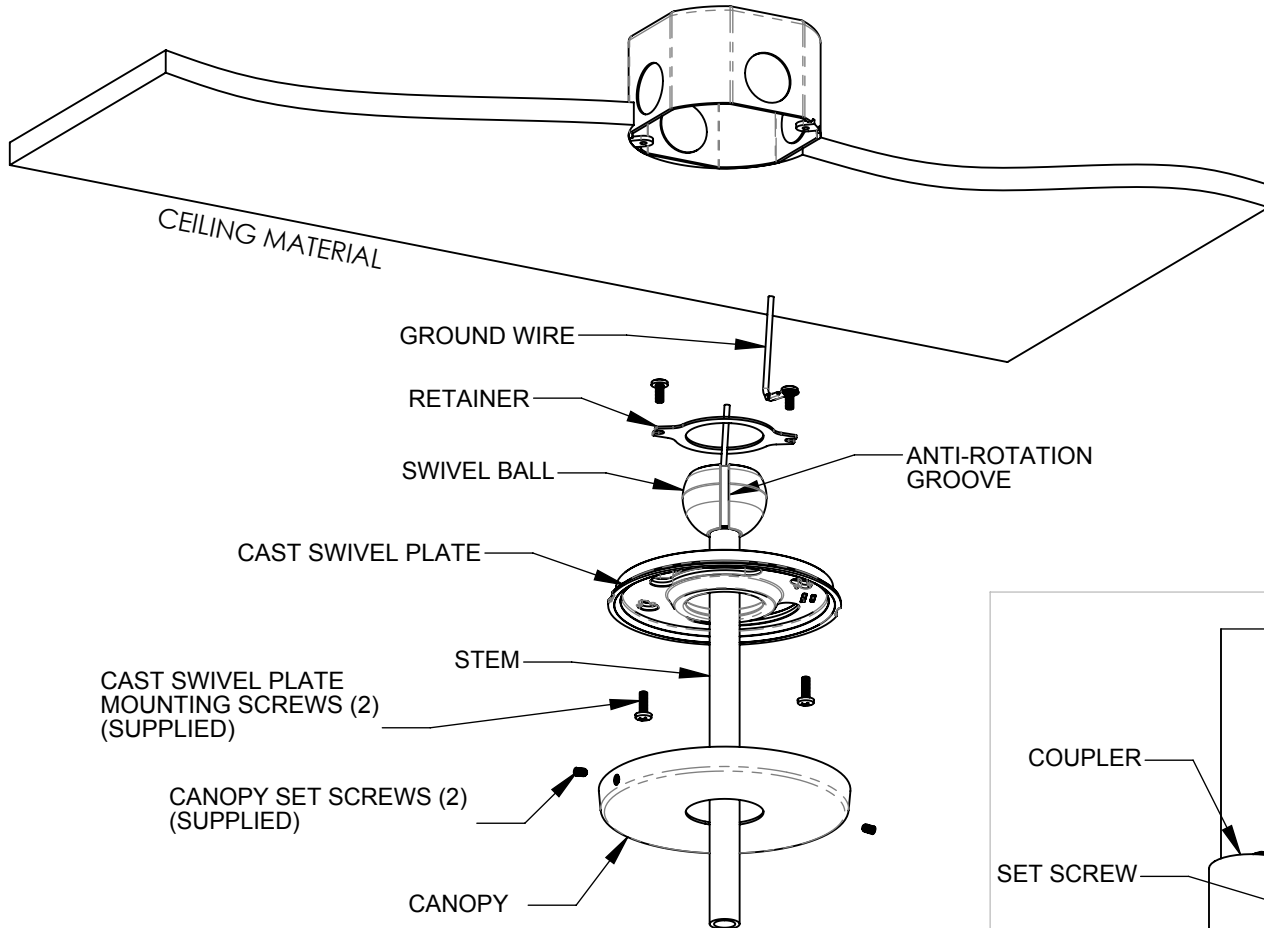
- Read all instructions carefully before installing and save for future use.
- Make sure all connections are in accordance with the National Electrical Code and local regulations.
- To avoid possible electric shock, be sure the power supply is turned off before servicing or installing the fixture.
- Service should be performed by qualified personnel.
- These instructions may not cover all details or variations. If additional information is needed, please contact Visa Lighting.

# INSTALLATION INSTRUCTIONS

Model: CP4515, CP4517  
Fixture Family: SCHOOL HAUS  
Document Description: Installation Instructions for  
LED Series Luminaires

**VISA LIGHTING**  
AN OLDENBURG GROUP COMPANY  
1717 West Civic Drive Milwaukee, WI 53209  
414-354-6600  
Design Modification Rights Reserved  
© Visa Lighting

## Installing swivel hanger stem



For a long overall, attach the stem segments with supplied coupler. Align flats on stem to set screws and securely fasten.

### Instructions

1. Insert swivel ball/stem assembly through cast swivel plate and fasten swivel ball retainer & ground wire with screws provided.
2. Insert stem through canopy, pull fixture wires through stem and securely fasten stem to the fixture.
3. Fasten cast swivel plate to junction box with 8-32 screws provided.
4. Make all wire connections per local and national codes.
5. Lift canopy in place and secure with screws provided.

When using electrical equipment, basic safety precautions should always be followed, including the following:

- Read all instructions carefully before installing and save for future use.
- Make sure all connections are in accordance with the National Electrical Code and local regulations.
- To avoid possible electric shock, be sure the power supply is turned off before servicing or installing the fixture.
- Service should be performed by qualified personnel.
- These instructions may not cover all details or variations. If additional information is needed, please contact Visa Lighting.

Drawing: 762057XX

Rev: A

Sheet: 3 of 3

Eng: AJM

Date Drawn: 8/15/16