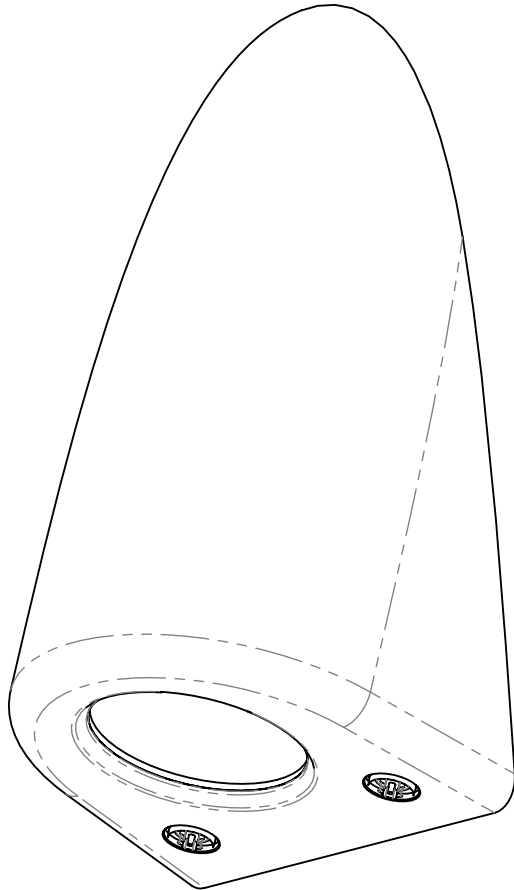


INSTALLATION INSTRUCTIONS

Model: **CB1800; CB1802PSX**
Fixture Family: **GIG**
Document Description: Installation Instructions for
GIG Series Luminaires

 **VISA LIGHTING**
AN OLDENBURG GROUP COMPANY
1717 West Civic Drive Milwaukee, WI 53209
414-354-6600
Design Modification Rights Reserved
© Visa Lighting



GIG

CB1800

CB1802PSX

Sheet 2: STANDARD INSTALLATION

Sheet 3: BH1 INSTALLATION, Supplemental Bracket Hardware for High Abuse

Sheet 4: TOUCHDIM TROUBLESHOOTING STEPS

Sheet 5: Wiring Diagram CB1800

Sheet 6: Wiring Diagram CB1802PSX TOUCHDIM

Sheet 7: Wiring Diagram CB1802PSX 0-10V DIM

Drawing: 762271XX

Rev: F

Sheet: 1 of 7

Eng: AJM

Date Drawn: 4/2/21



When using electrical equipment, basic safety precautions should always be followed, including the following:

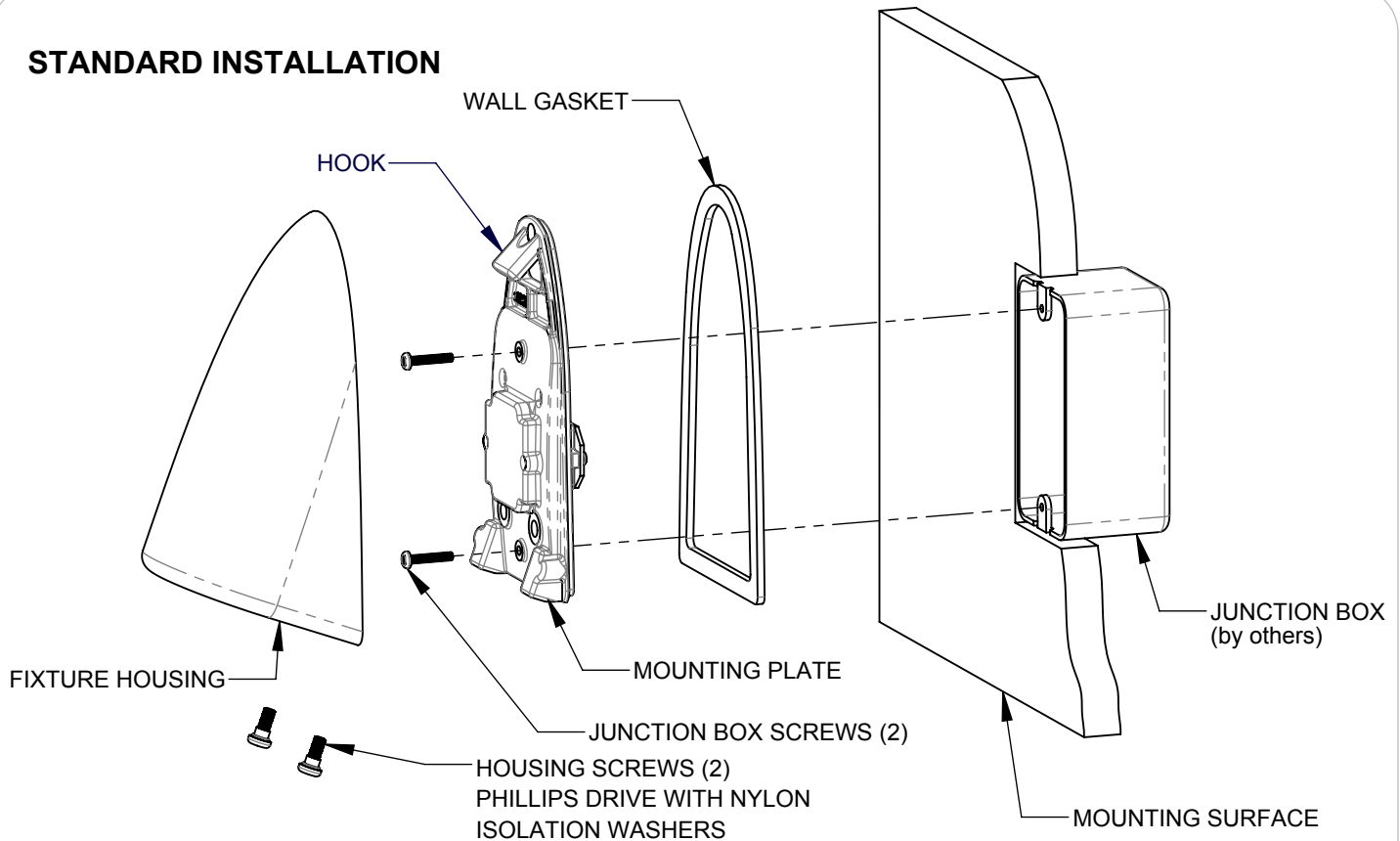
- Read all instructions carefully before installing and save for future use.
- Make sure all connections are in accordance with the National Electrical Code and local regulations.
- To avoid possible electric shock, be sure the power supply is turned off before servicing or installing the fixture.
- Service should be performed by qualified personnel.
- These instructions may not cover all details or variations. If additional information is needed, please contact Visa Lighting.

INSTALLATION INSTRUCTIONS

Model: **CB1800; CB1802PSX**
Fixture Family: **GIG**
Document Description: Installation Instructions for
GIG Series Luminaires

VISA LIGHTING
AN OLDENBURG GROUP COMPANY
1717 West Civic Drive Milwaukee, WI 53209
414-354-6600
Design Modification Rights Reserved
© Visa Lighting 2016

STANDARD INSTALLATION



Instructions

1. Make electrical connections according to NEC and local regulations.
2. Attach mounting plate to junction box (by others), using junction box screws (2) provided. Ensure wall gasket is seated underneath mounting plate and is not pinched or crooked.
3. Align fixture housing with mounting plate using the hook and slot feature.
4. Secure fixture housing to mounting plate with housing screws (2) provided. The Nylon Isolation Washers are required for the Touch Dimming option to properly operate.

NOTE:

Ingress protection for fixture is from the outside only. Fixture is not sealed from the junction box or wall cavity. Wall gasket must be installed on a smooth flat surface. Caulking around the housing may be necessary if the wall surface is not smooth.

When using electrical equipment, basic safety precautions should always be followed, including the following:

- Read all instructions carefully before installing and save for future use.
- Make sure all connections are in accordance with the National Electrical Code and local regulations.
- To avoid possible electric shock, be sure the power supply is turned off before servicing or installing the fixture.
- Service should be performed by qualified personnel.
- These instructions may not cover all details or variations. If additional information is needed, please contact Visa Lighting.

Drawing: 762271XX

Rev: F

Sheet: 2 of 7

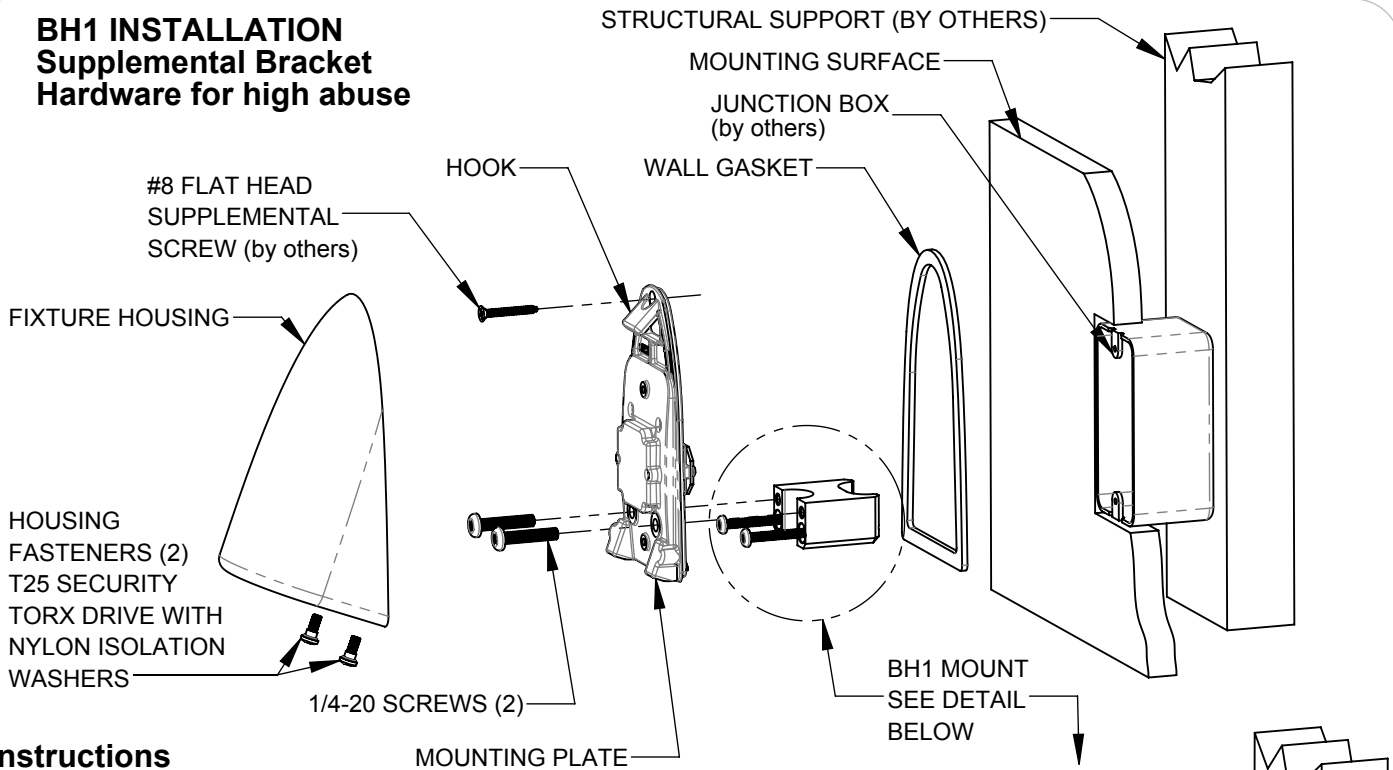
Eng: AJM

Date Drawn: 4/2/21

INSTALLATION INSTRUCTIONS

Model: **CB1800; CB1802PSX**
 Fixture Family: **GIG**
 Document Description: Installation Instructions for
 GIG Series Luminaires

BH1 INSTALLATION Supplemental Bracket Hardware for high abuse

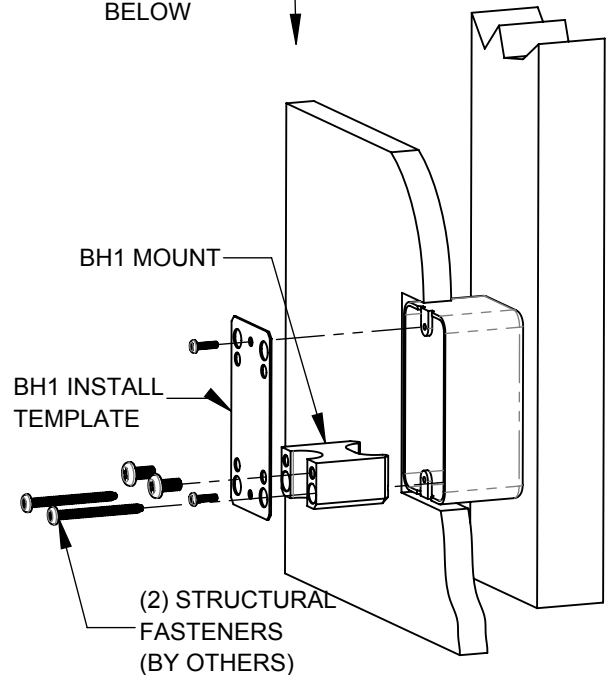


Instructions

1. Attach BH1 MOUNT to structure through junction box using #8 or #10 screws (by others). BH1 INSTALL TEMPLATE provided for hole alignment only, remove after BH1 MOUNT is secure.
2. Make electrical connections according to NEC and local regulations.
3. Attach mounting plate to junction box using 1/4-20 screws (2) provided. Ensure wall gasket is seated underneath mounting plate and is not pinched or crooked.
4. For rough service applications #8 supplemental screw (by others) is recommended. See facility manager as they may require Pick-Proof caulk for certain circumstances.
5. Align fixture housing with mounting plate using the hook and slot feature.
6. Secure fixture housing to mounting plate with housing fasteners (2) provided. The Nylon Isolation Washers are required for the Touch Dimming option to properly operate.

NOTE:

Ingress protection for fixture is from the outside only. Fixture is not sealed from the junction box or wall cavity. Wall gasket must be installed on a smooth flat surface. Caulking around the housing may be necessary if the wall surface is not smooth.



Drawing: 762271XX

Rev: F

Sheet: 3 of 7

Eng: AJM

Date Drawn: 4/2/21



When using electrical equipment, basic safety precautions should always be followed, including the following:

- Read all instructions carefully before installing and save for future use.
- Make sure all connections are in accordance with the National Electrical Code and local regulations.
- To avoid possible electric shock, be sure the power supply is turned off before servicing or installing the fixture.
- Service should be performed by qualified personnel.

• These instructions may not cover all details or variations. If additional information is needed, please contact Visa Lighting.

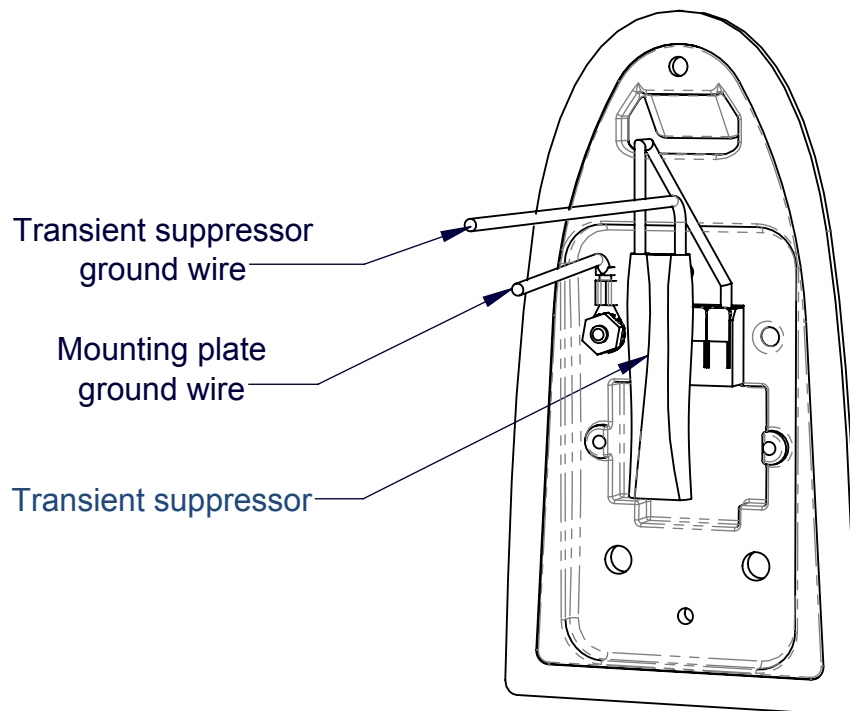
INSTALLATION INSTRUCTIONS

Model: **CB1800; CB1802PSX**
Fixture Family: **GIG**
Document Description: Installation Instructions for
GIG Series Luminaires

VISA LIGHTING
AN OLDENBURG GROUP COMPANY
1717 West Civic Drive Milwaukee, WI 53209
414-354-6600
Design Modification Rights Reserved
© Visa Lighting 2016

TOUCHDIM TROUBLESHOOTING STEPS

1. If this is the first installation or modifications have been made to the installation, be sure to cycle power OFF and then ON to allow fixture to properly self-calibrate
2. If issues persist:
 - With the power to the fixture OFF, check continuity between the front housing and ground. There should not be continuity between front housing and ground when fully installed. If continuity is present, check the condition of the isolating washers beneath the heads of the housing fasteners, and the rubberized wall mounting plate. If these are damaged they must be replaced.
 - Confirm proper wiring per instructions on sheet 5, 6 or 7
 - Ensure that the mounting plate ground wire and transient suppressor are both connected to earth ground
 - If the fixture is “touched” continuously for more than 60 seconds (holding or leaning on the fixture etc.), it will recalibrate itself based on whatever is touching it. When that touch is removed the fixture should revert to normal operation. Cycle power if this does not resolve quickly.



Drawing: 762271XX

Rev: F

Sheet: 4 of 7

Eng: AJM

Date Drawn: 4/2/21

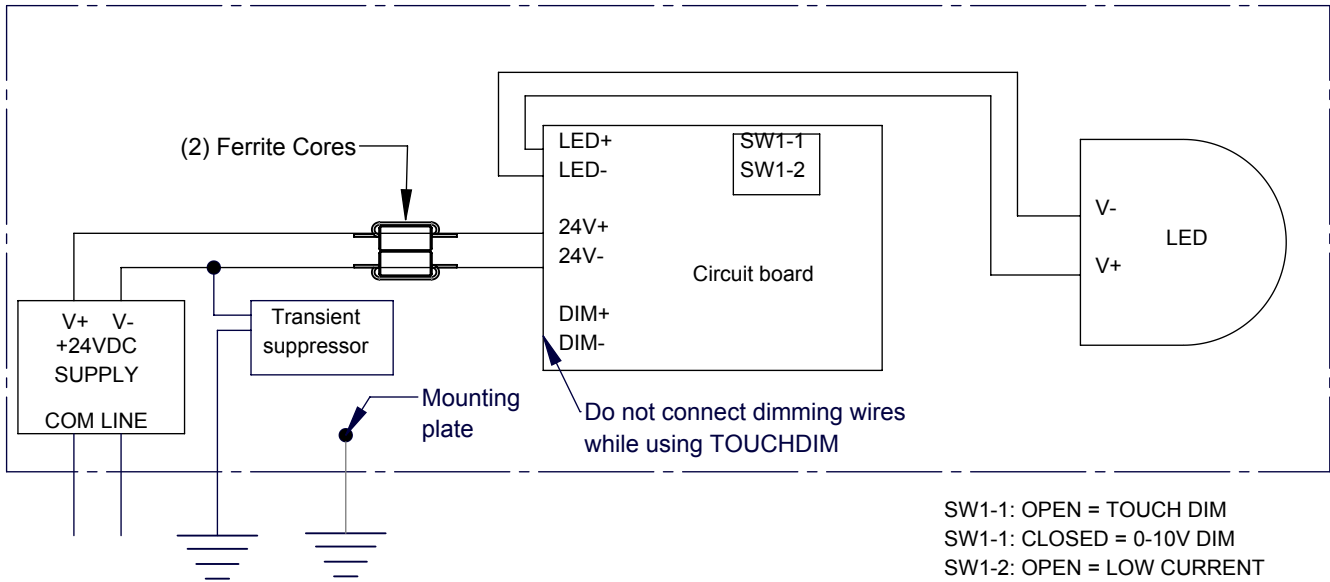
! When using electrical equipment, basic safety precautions should always be followed, including the following:

- Read all instructions carefully before installing and save for future use.
- Make sure all connections are in accordance with the National Electrical Code and local regulations.
- To avoid possible electric shock, be sure the power supply is turned off before servicing or installing the fixture
- Service should be performed by qualified personnel.
- These instructions may not cover all details or variations. If additional information is needed, please contact Visa Lighting.

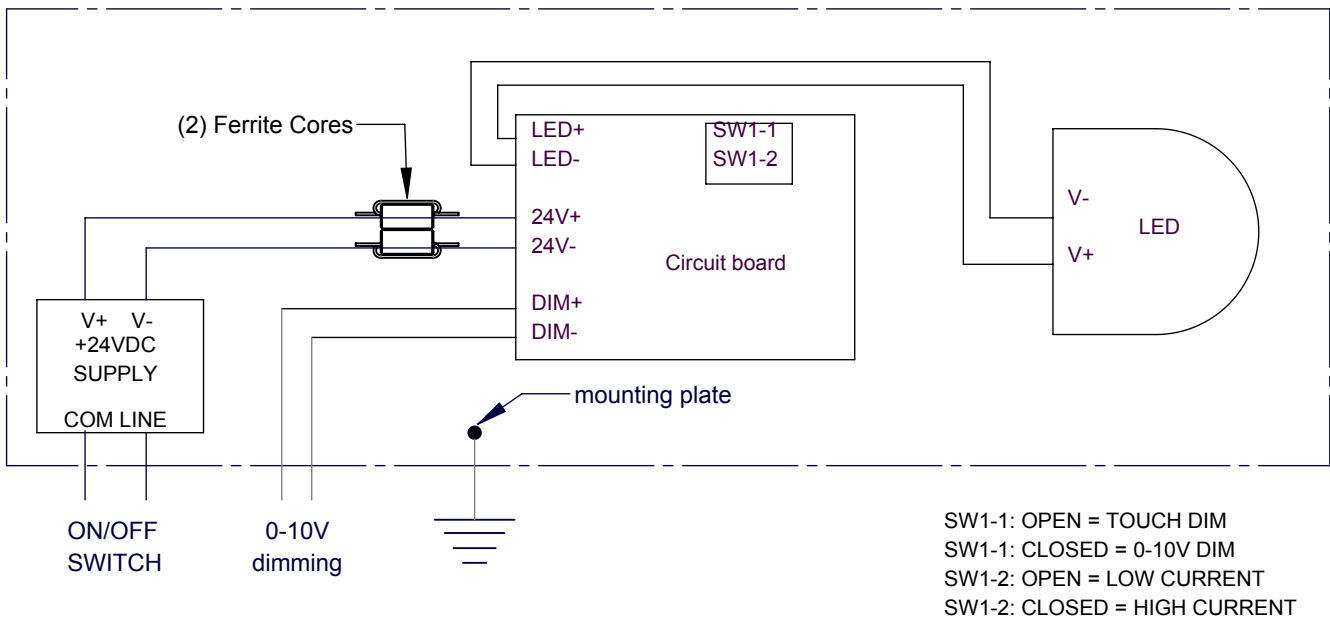
INSTALLATION INSTRUCTIONS

Model: **CB1800; CB1802PSX**
 Fixture Family: **GIG**
 Document Description: Installation Instructions for
 GIG Series Luminaires

CB1800 TOUCH DIMMING



CB1800 0-10V DIMMING



Drawing: 762271XX

Rev: F

Sheet: 5 of 7

Eng: AJM

Date Drawn: 4/2/21

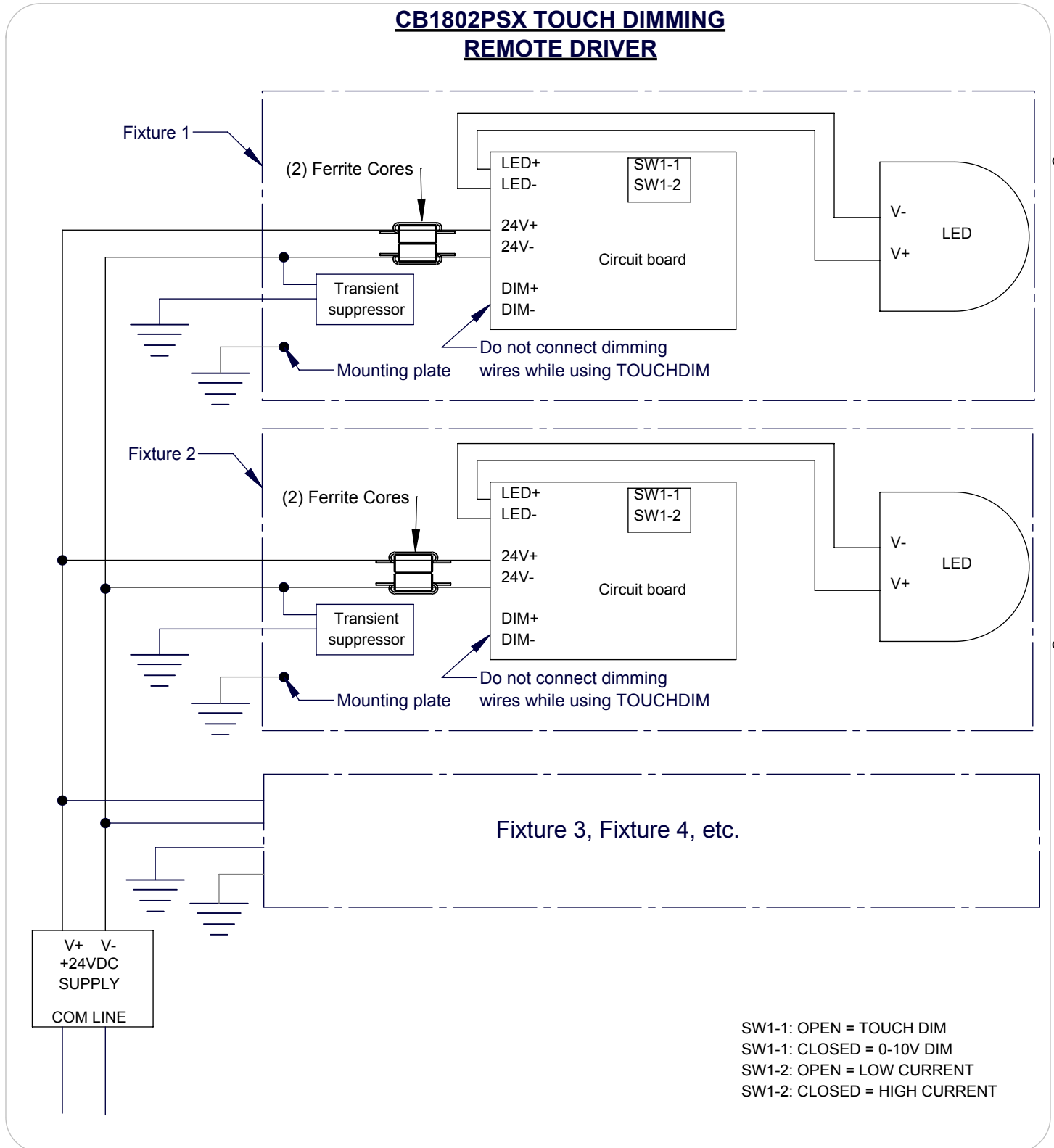
- !** When using electrical equipment, basic safety precautions should always be followed, including the following:
- Read all instructions carefully before installing and save for future use.
 - Make sure all connections are in accordance with the National Electrical Code and local regulations.
 - To avoid possible electric shock, be sure the power supply is turned off before servicing or installing the fixture.
 - Service should be performed by qualified personnel.
 - These instructions may not cover all details or variations. If additional information is needed, please contact Visa Lighting.

INSTALLATION INSTRUCTIONS

Model: **CB1800; CB1802PSX**
 Fixture Family: **GIG**
 Document Description: Installation Instructions for
 GIG Series Luminaires

VISA LIGHTING
 AN OLDENBURG GROUP COMPANY
 1717 West Civic Drive Milwaukee, WI 53209
 414-354-6600
 Design Modification Rights Reserved
 © Visa Lighting 2016

CB1802PSX TOUCH DIMMING REMOTE DRIVER



Drawing: 762271XX

Rev: F

Sheet: 6 of 7

Eng: AJM

Date Drawn: 4/2/21

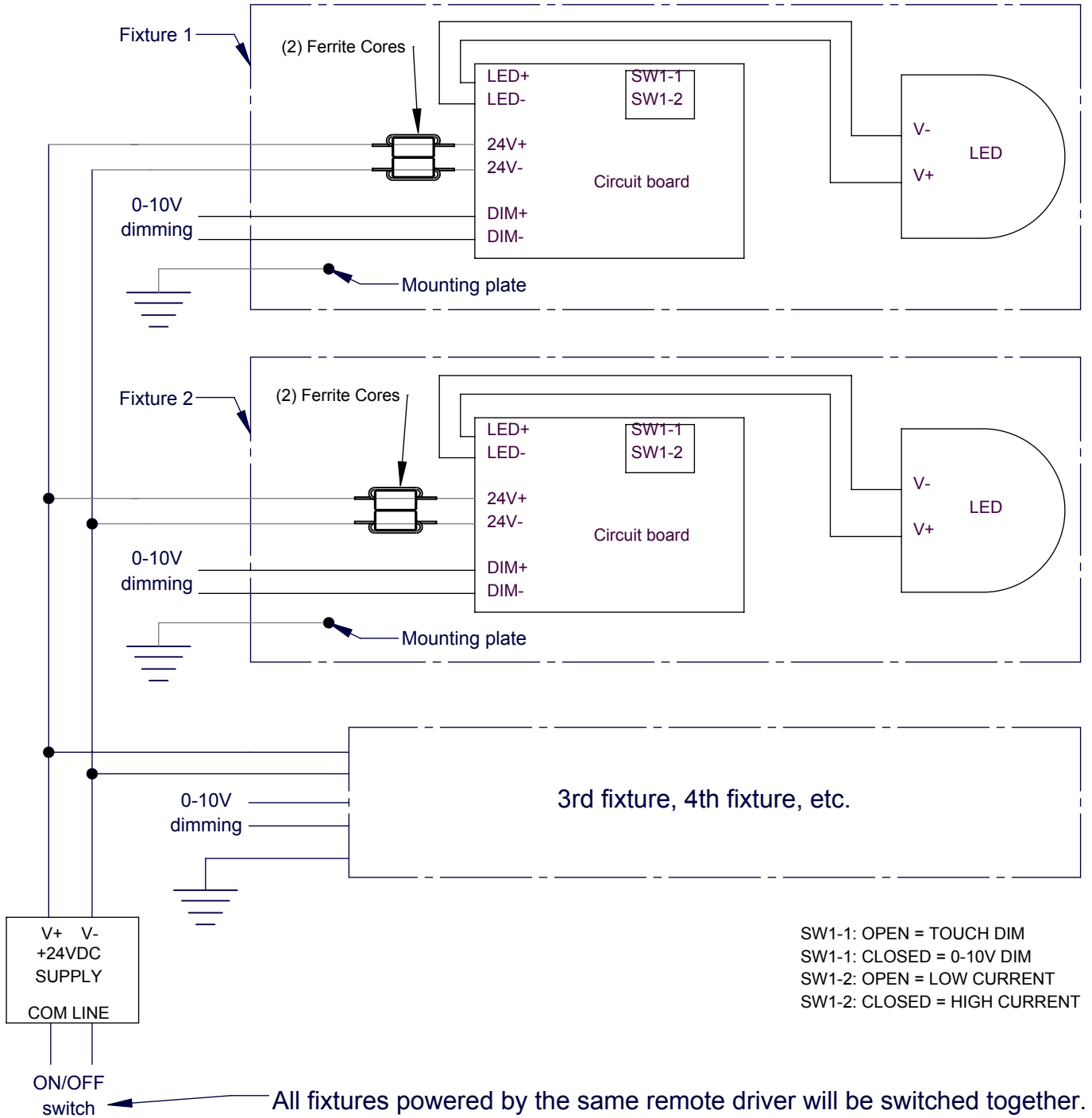
- !** When using electrical equipment, basic safety precautions should always be followed, including the following:
- Read all instructions carefully before installing and save for future use.
 - Make sure all connections are in accordance with the National Electrical Code and local regulations.
 - To avoid possible electric shock, be sure the power supply is turned off before servicing or installing the fixture
 - Service should be performed by qualified personnel.
 - These instructions may not cover all details or variations. If additional information is needed, please contact Visa Lighting.

INSTALLATION INSTRUCTIONS

Model: **CB1800; CB1802PSX**
 Fixture Family: **GIG**
 Document Description: Installation Instructions for
 GIG Series Luminaires

VISA LIGHTING
 AN OLDENBURG GROUP COMPANY
 1717 West Civic Drive Milwaukee, WI 53209
 414-354-6600
 Design Modification Rights Reserved
 © Visa Lighting 2016

CB1802PSX 0-10V Dimming REMOTE DRIVER



Drawing: 762271XX

Rev: F

Sheet: 7 of 7

Eng: AJM

Date Drawn: 4/2/21



- When using electrical equipment, basic safety precautions should always be followed, including the following:
- Read all instructions carefully before installing and save for future use.
 - Make sure all connections are in accordance with the National Electrical Code and local regulations.
 - To avoid possible electric shock, be sure the power supply is turned off before servicing or installing the fixture.
 - Service should be performed by qualified personnel.
 - These instructions may not cover all details or variations. If additional information is needed, please contact Visa Lighting.