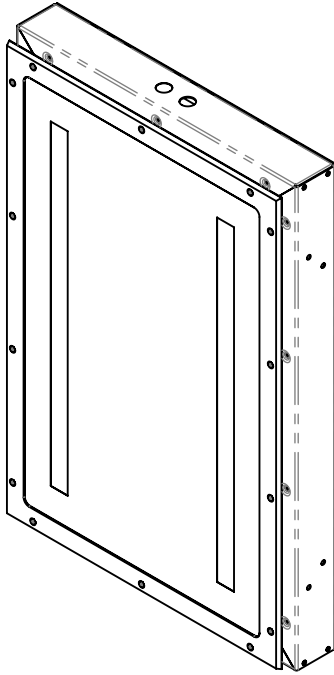


INSTALLATION INSTRUCTIONS

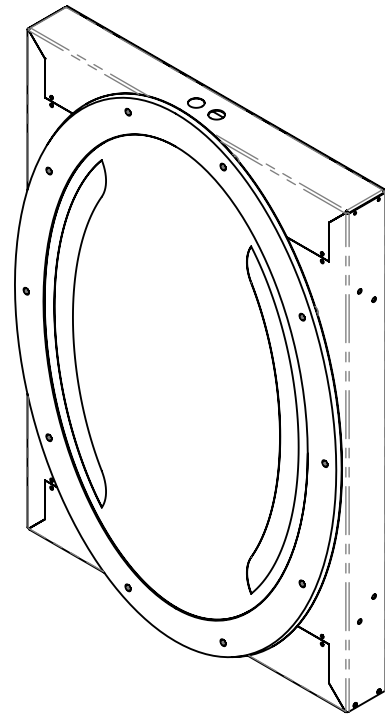
Model: **CB1850, CB1852**
Fixture Family: **SOLE**
Document Description: Installation Instructions for
Sole Series Mirrors

VISA LIGHTING
AN OLDENBURG GROUP COMPANY
1717 West Civic Drive Milwaukee, WI 53209
414-354-6600
Design Modification Rights Reserved
© Visa Lighting 2016

SOLE



CB1850 - RECTANGULAR



CB1852 - OVAL

Sheet 1: COVER PAGE/CLEANING AND CARE INSTRUCTIONS
Sheet 2: IMPORTANT SAFETY INSTRUCTIONS
Sheet 3: RECESSED BACK BOX AND SHEETROCK DIMENSIONS
Sheet 4: SHIPPING NOTES

Sheet 5: CB1850 RECESSED BACK BOX INSTALLATION
Sheet 6: CB1850 LED ASSEMBLY AND MIRROR INSTALLATION

Sheet 7: CB1852 RECESSED BACK BOX INSTALLATION
Sheet 8: CB1852 LED ASSEMBLY AND MIRROR INSTALLATION

CLEANING AND CARE INSTRUCTIONS

Use care when cleaning this LED Luminaire. The mirror is made of polycarbonate. Do not use abrasive cleaners, chemicals or solvents which may result in surface damage to lens or housing. The luminaire can be cleaned by hose-directed water spray to remove any dust or debris. If necessary, use mild soap with warm water for cleaning the exterior surfaces of this fixture. Use a microfiber cloth to clean mirror.

When using electrical equipment, basic safety precautions should always be followed, including the following:

- Read all instructions carefully before installing and save for future use.
- Make sure all connections are in accordance with the National Electrical Code and local regulations.
- To avoid possible electric shock, be sure the power supply is turned off before servicing or installing the fixture.
- Service should be performed by qualified personnel.
- These instructions may not cover all details or variations. If additional information is needed, please contact Visa Lighting.

Drawing: 762277XX

Rev: H

Sheet: 1 of 8

Eng: CGJ

Date Drawn: 10/30/20

INSTALLATION INSTRUCTIONS

Model: **CB1850, CB1852**
Fixture Family: **SOLE**
Document Description: Installation Instructions for
Sole Series Mirrors

 **VISA LIGHTING**
AN OLDENBURG GROUP COMPANY
1717 West Civic Drive Milwaukee, WI 53209
414-354-6600
Design Modification Rights Reserved
© Visa Lighting

IMPORTANT SAFETY INSTRUCTIONS

To reduce the risk of burns, fire, electric shock, or injury to persons:

1. Use this illuminated mirror for its intended use as described in these instructions.
2. Do not use attachments not recommended by the manufacturer.
3. For installations in a fire rated location, install per local and standard code.

Risk of Death or Serious Injury:

4. Do not install near pools, ponds, or other bodies of water.

To reduce risk of Ligature:

5. Ensure all fasteners are fully seated and do not protrude from the mirror frame.
6. Apply a pickproof sealant around the perimeter of the frame in the slight gap between the frame and mounting substrate.

Ingress protection:

7. Ingress protection for fixture is from the outside only. Sole is not sealed from wall cavity.
8. Wall gasket must be installed on a smooth flat surface (i.e. acrylic or vinyl for wash down applications) for IP65 rating. Rough, textured, round, or otherwise curved surfaces require additional sealing measures (not provided).
9. For IP rating the nylon screw sleeves must be used with the mounting screws.

Grounding Instructions:

10. This product must be connected to a grounded metal, permanent wiring system, or an equipment grounding conductor must be run with the circuit conductors and connected to the equipment grounding terminal or lead on the product. Electrical Ratings: 120-277 VAC, 50/60Hz, 50 W MAX


Drawing: 762277XX

Rev: H

Sheet: 2 of 8

Eng: CG2

Date Drawn: 10/30/20

-  When using electrical equipment, basic safety precautions should always be followed, including the following:
- Read all instructions carefully before installing and save for future use.
 - Make sure all connections are in accordance with the National Electrical Code and local regulations.
 - To avoid possible electric shock, be sure the power supply is turned off before servicing or installing the fixture.
 - Service should be performed by qualified personnel.
 - These instructions may not cover all details or variations. If additional information is needed, please contact Visa Lighting.

INSTALLATION INSTRUCTIONS

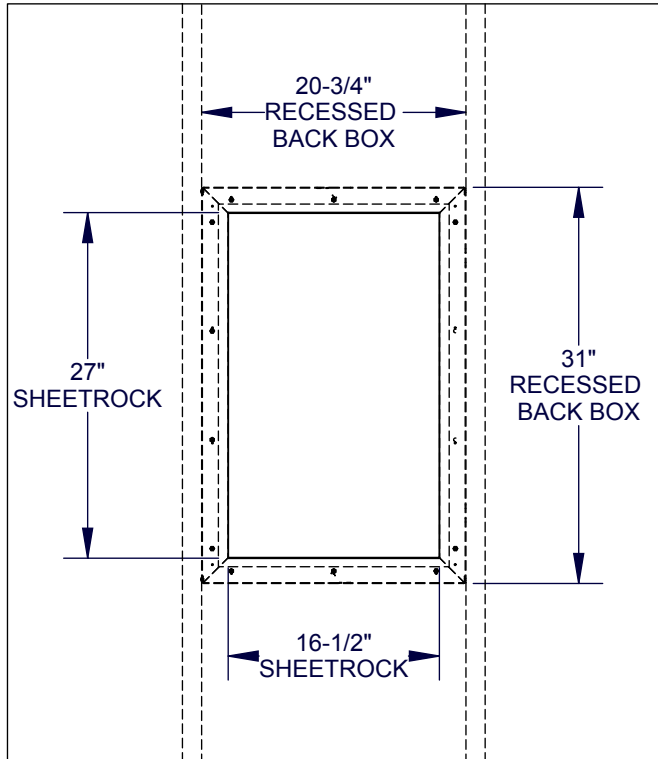
Model: **CB1850, CB1852**
Fixture Family: **SOLE**
Document Description: Installation Instructions for
Sole Series Mirrors

VISA LIGHTING
AN OLDENBURG GROUP COMPANY
1717 West Civic Drive Milwaukee, WI 53209
414-354-6600
Design Modification Rights Reserved
© Visa Lighting

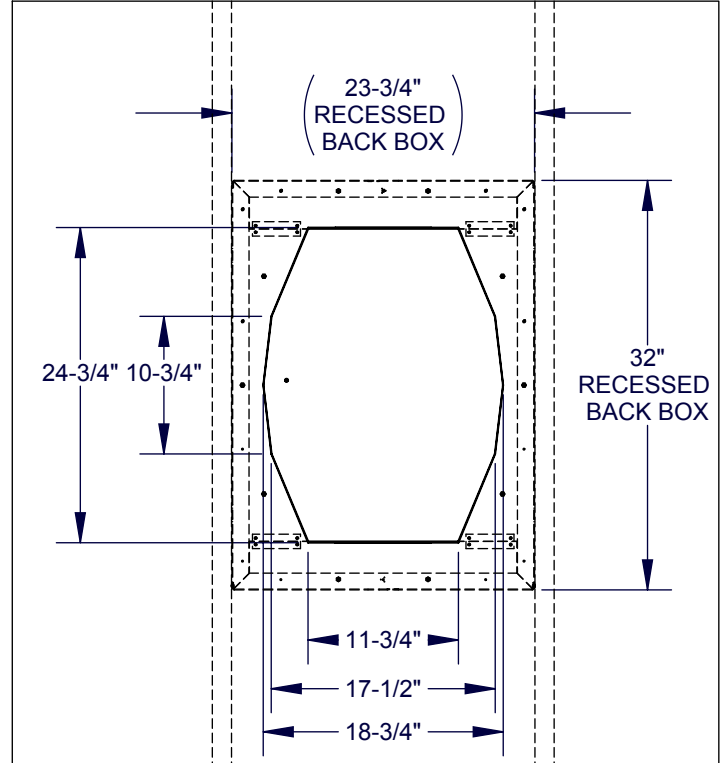
RECESSED BACK BOX AND SHEETROCK DIMENSIONS

NOTE: Wallboard to be no more than 1" thick. If thicker wall board is required, consult factory.

CB1850



CB1852



Drawing: 762277XX

Rev: H

Sheet: 3 of 8

Eng: CG2

Date Drawn: 10/30/20

When using electrical equipment, basic safety precautions should always be followed, including the following:

- Read all instructions carefully before installing and save for future use.
- Make sure all connections are in accordance with the National Electrical Code and local regulations.
- To avoid possible electric shock, be sure the power supply is turned off before servicing or installing the fixture.
- Service should be performed by qualified personnel.
- These instructions may not cover all details or variations. If additional information is needed, please contact Visa Lighting.

INSTALLATION INSTRUCTIONS

Model: **CB1850, CB1852**
Fixture Family: **SOLE**
Document Description: Installation Instructions for
Sole Series Mirrors

VISA LIGHTING
AN OLDENBURG GROUP COMPANY
1717 West Civic Drive Milwaukee, WI 53209
414-354-6600
Design Modification Rights Reserved
© Visa Lighting

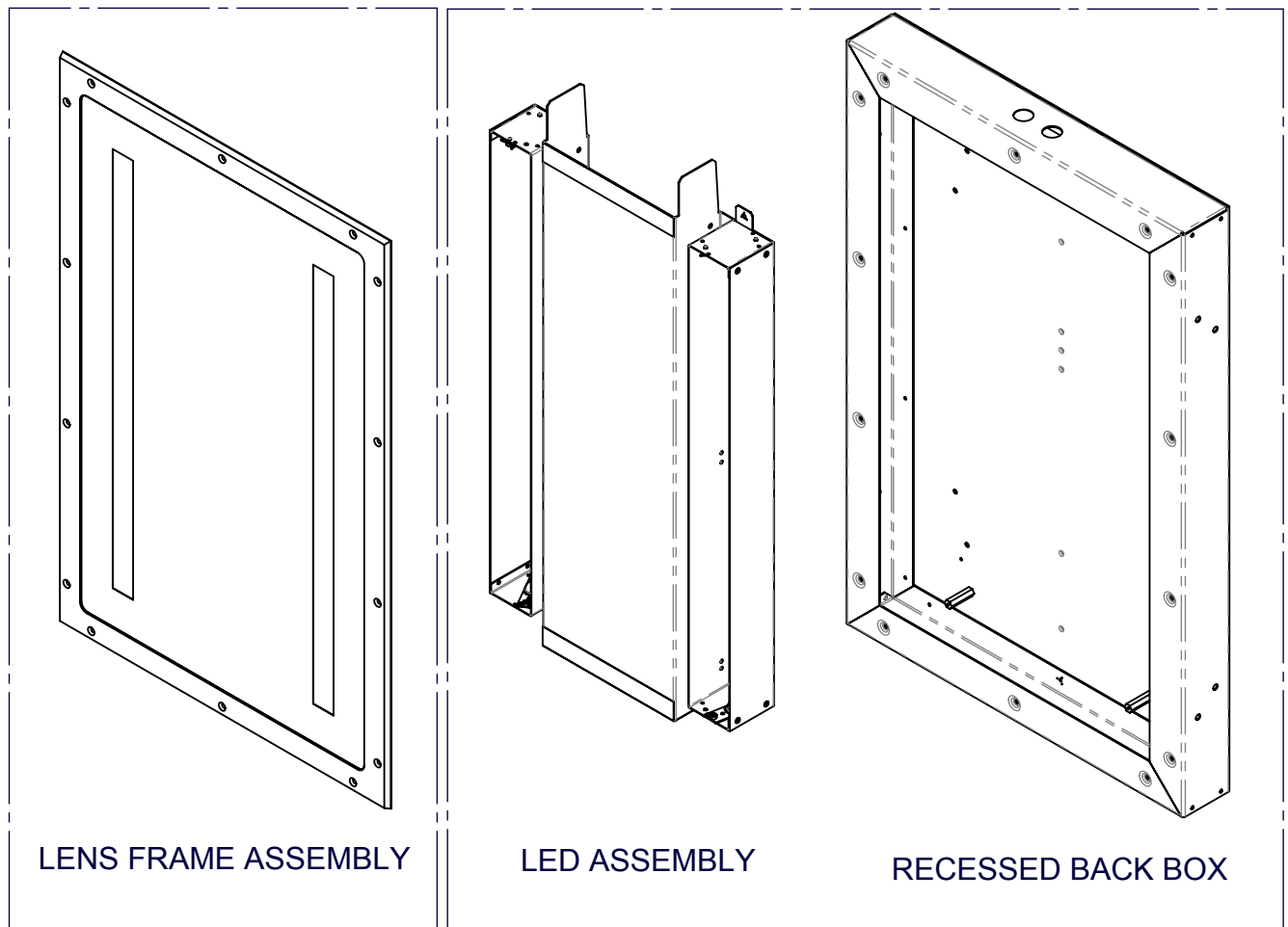
SHIPPING NOTES

Each Sole luminaire will be bulk shipped in 3 sub-assemblies:

1. Lens frame assembly
2. LED assembly + Recessed back box
3. Painted Torx screws and nylon screw sleeves

Additional notes:

4. Recessed back box may ship ahead if RB pre-ship recessed back box option was selected.
5. CB1850 shown below, CB1852 is shipped the same way.



Drawing: 762277XX

Rev: H

Sheet: 4 of 8

Eng: CG2

Date Drawn: 10/30/20

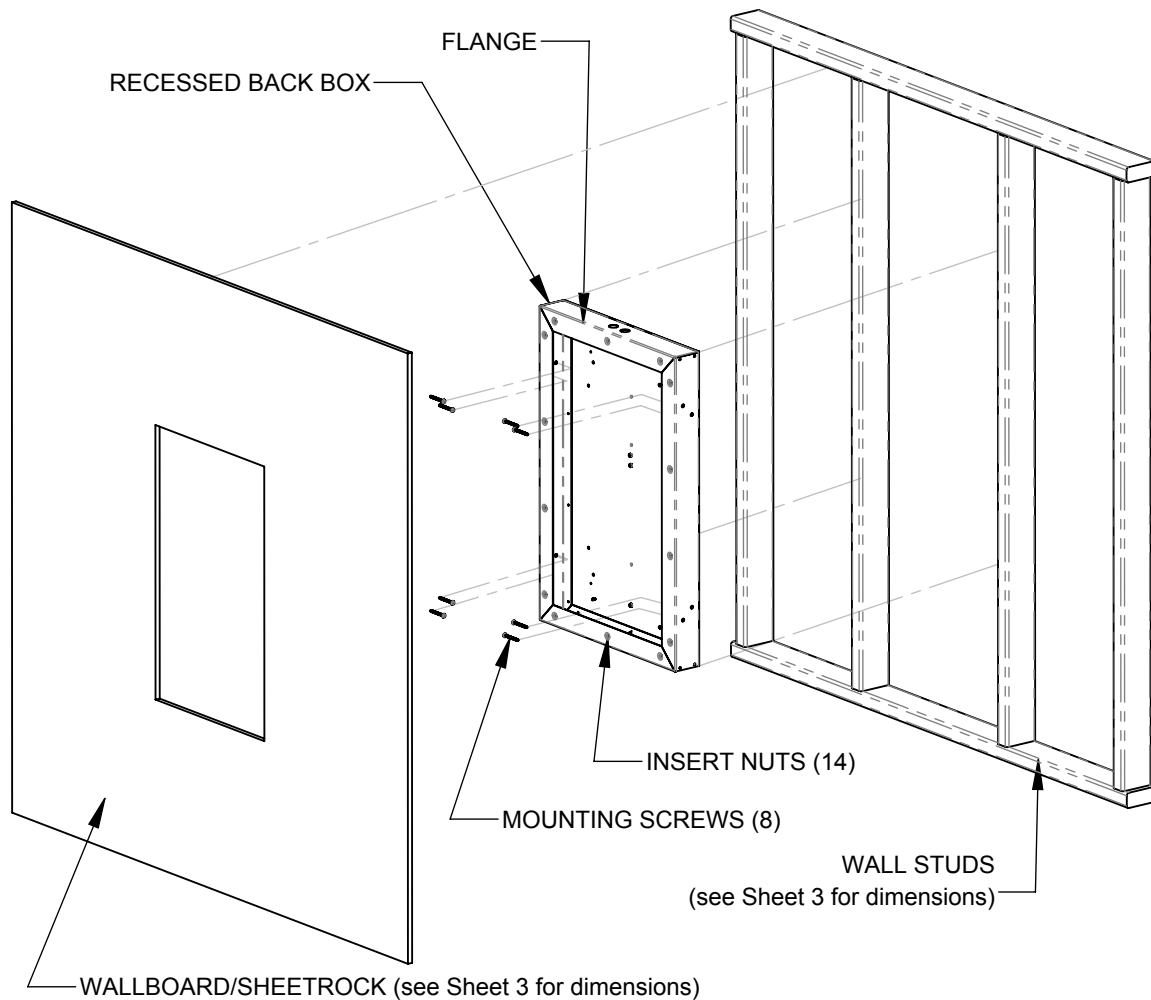
- !** When using electrical equipment, basic safety precautions should always be followed, including the following:
- Read all instructions carefully before installing and save for future use.
 - Make sure all connections are in accordance with the National Electrical Code and local regulations.
 - To avoid possible electric shock, be sure the power supply is turned off before servicing or installing the fixture.
 - Service should be performed by qualified personnel.
 - These instructions may not cover all details or variations. If additional information is needed, please contact Visa Lighting.

INSTALLATION INSTRUCTIONS

Model: **CB1850, CB1852**
Fixture Family: **SOLE**
Document Description: Installation Instructions for
Sole Series Mirrors

VISA LIGHTING
AN OLDENBURG GROUP COMPANY
1717 West Civic Drive Milwaukee, WI 53209
414-354-6600
Design Modification Rights Reserved
© Visa Lighting

CB1850 RECESSED BACK BOX INSTALLATION:



Note - if RB preship recessed back box option was selected, skip step 1.

1. Remove LED assembly (see Sheet 6) from back box and store until wallboard is installed and finished. Reinstall (4) standoffs (see Sheet 6) into backbox for future use.
2. Secure recessed backbox to studs or appropriate stable structure. The front face of the back box should be flush with back side of the wallboard.
3. Route line voltage and dimming wires (if needed), and finish wall.
4. Cut wallboard even with the inside edges of the back box.
5. Set aside wallboard cutout for support piece in step 3 on Sheet 6.

When using electrical equipment, basic safety precautions should always be followed, including the following:

- Read all instructions carefully before installing and save for future use.
- Make sure all connections are in accordance with the National Electrical Code and local regulations.
- To avoid possible electric shock, be sure the power supply is turned off before servicing or installing the fixture.
- Service should be performed by qualified personnel.
- These instructions may not cover all details or variations. If additional information is needed, please contact Visa Lighting.

Drawing: 762277XX

Rev: H

Sheet: 5 of 8

Eng: CG2

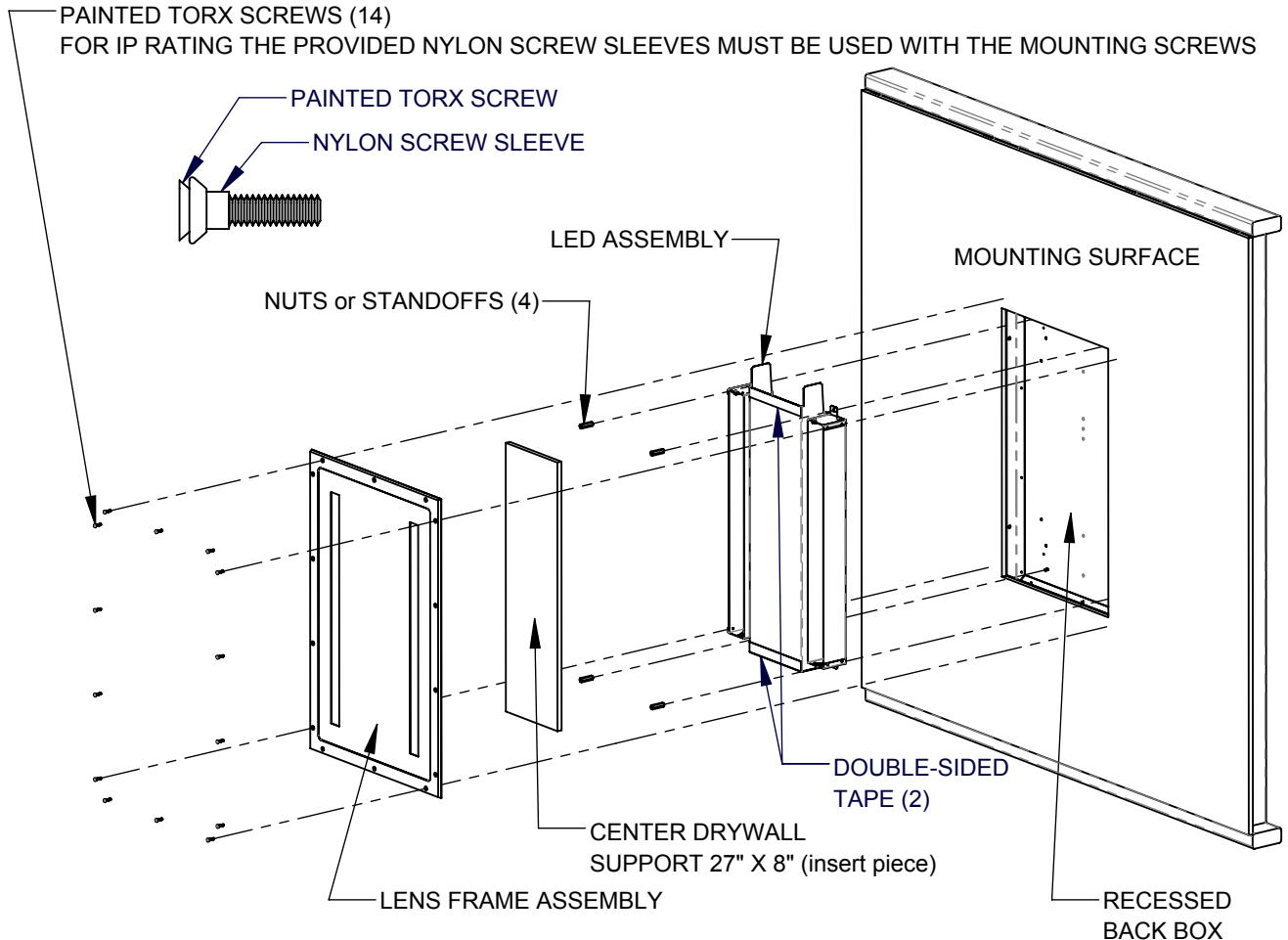
Date Drawn: 10/30/20

INSTALLATION INSTRUCTIONS

Model: **CB1850, CB1852**
Fixture Family: **SOLE**
Document Description: Installation Instructions for
Sole Series Mirrors

VISA LIGHTING
AN OLDENBURG GROUP COMPANY
1717 West Civic Drive Milwaukee, WI 53209
414-354-6600
Design Modification Rights Reserved
© Visa Lighting

CB1850 LED ASSEMBLY AND MIRROR INSTALLATION:



1. Locate the top and bottom middle insert nut (see Sheet 5) inside the recessed back box. Using a 1/4" drill, open up a hole in the wallboard centered over the insert nut. Verify you have completely removed the wallboard by starting a lens screw into the inserted nuts. Once the top and bottom middle insert nuts are accessible, attach the mirror/frame assembly to the recessed back box using two screws, hand tighten. Once fully seated, mark the remaining screw holes. Remove and set aside the mirror/frame assembly and drill the remaining holes until the threaded inserts are accessible.
2. Wire the LED assembly and reinstall into the recessed back box using nuts or standoffs.
3. Using the saved wallboard cutout, cut an insert piece to fill in the area between the mirror and the LED assembly. Attach using the double-sided tape on the LED assembly.
4. Attach the mirror/frame assembly using the provided screws (14).
5. Apply pickproof caulk bead between wall and mirror around the entire perimeter of lens frame.

When using electrical equipment, basic safety precautions should always be followed, including the following:

- Read all instructions carefully before installing and save for future use.
- Make sure all connections are in accordance with the National Electrical Code and local regulations.
- To avoid possible electric shock, be sure the power supply is turned off before servicing or installing the fixture.
- Service should be performed by qualified personnel.
- These instructions may not cover all details or variations. If additional information is needed, please contact Visa Lighting.

Drawing: 762277XX

Rev: H

Sheet: 6 of 8

Eng: CG2

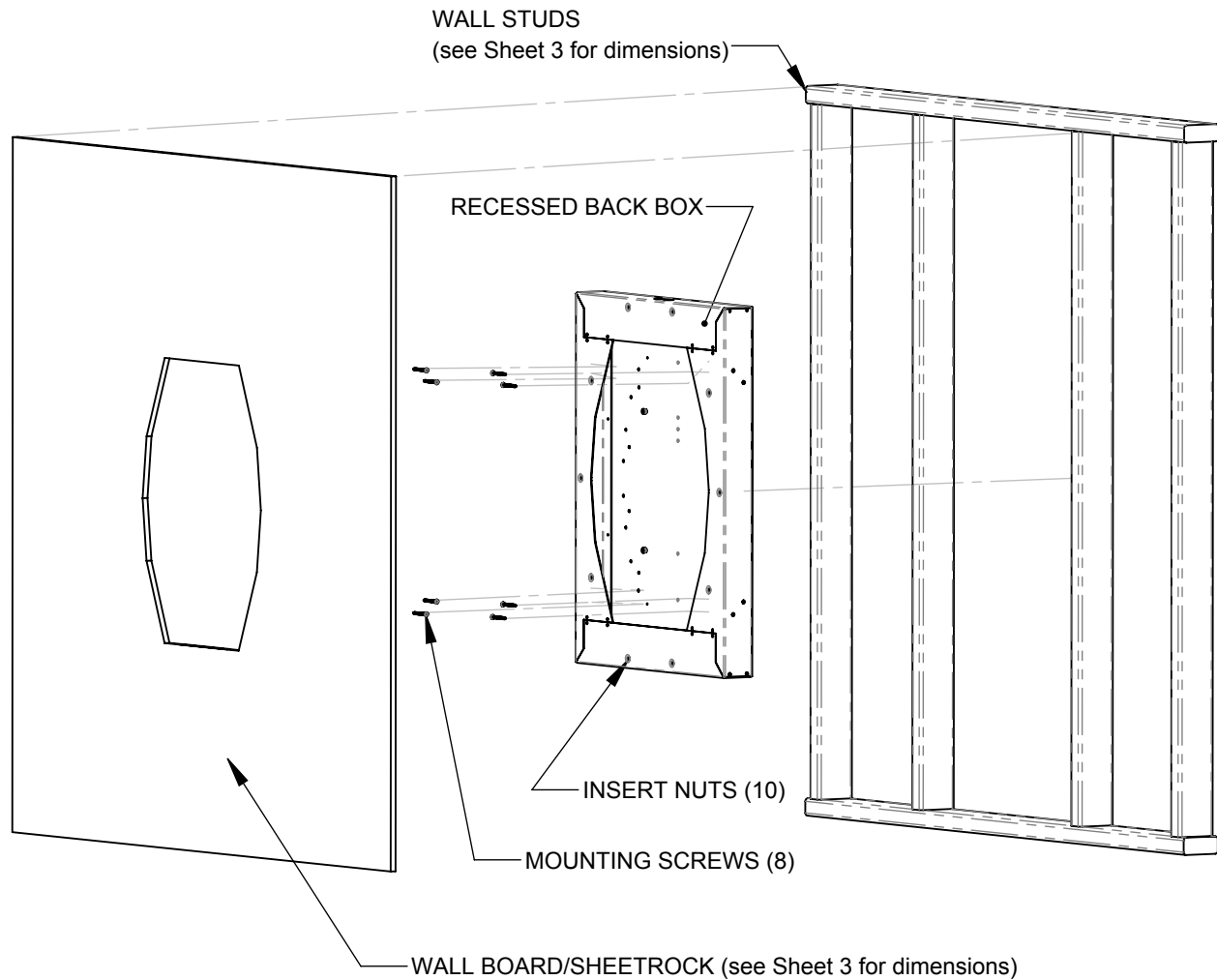
Date Drawn: 10/30/20

INSTALLATION INSTRUCTIONS

Model: **CB1850, CB1852**
Fixture Family: **SOLE**
Document Description: Installation Instructions for
Sole Series Mirrors

VISA LIGHTING
AN OLDENBURG GROUP COMPANY
1717 West Civic Drive Milwaukee, WI 53209
414-354-6600
Design Modification Rights Reserved
© Visa Lighting

CB1852 RECESSED BACK BOX INSTALLATION:



Note - if RB preship recessed back box option was selected, skip step 1.

1. Remove foam insert and LED assembly (see Sheet 8) from fixture and store until wall board is installed and finished. Reinstall (4) nuts (see Sheet 8) into backbox for future use.
2. Secure back box to studs or appropriate stable structure. The front face of the back box should be flush with back side of the wallboard.
3. Route line voltage and dimming wires (if needed), and finish wall.
4. Cut wallboard even with the inside profile of the installed recessed back box.
5. Set aside wallboard cutout for support piece in step 4 on Sheet 8.

When using electrical equipment, basic safety precautions should always be followed, including the following:

- Read all instructions carefully before installing and save for future use.
- Make sure all connections are in accordance with the National Electrical Code and local regulations.
- To avoid possible electric shock, be sure the power supply is turned off before servicing or installing the fixture.
- Service should be performed by qualified personnel.
- These instructions may not cover all details or variations. If additional information is needed, please contact Visa Lighting.

Drawing: 762277XX

Rev: H

Sheet: 7 of 8

Eng: CG2

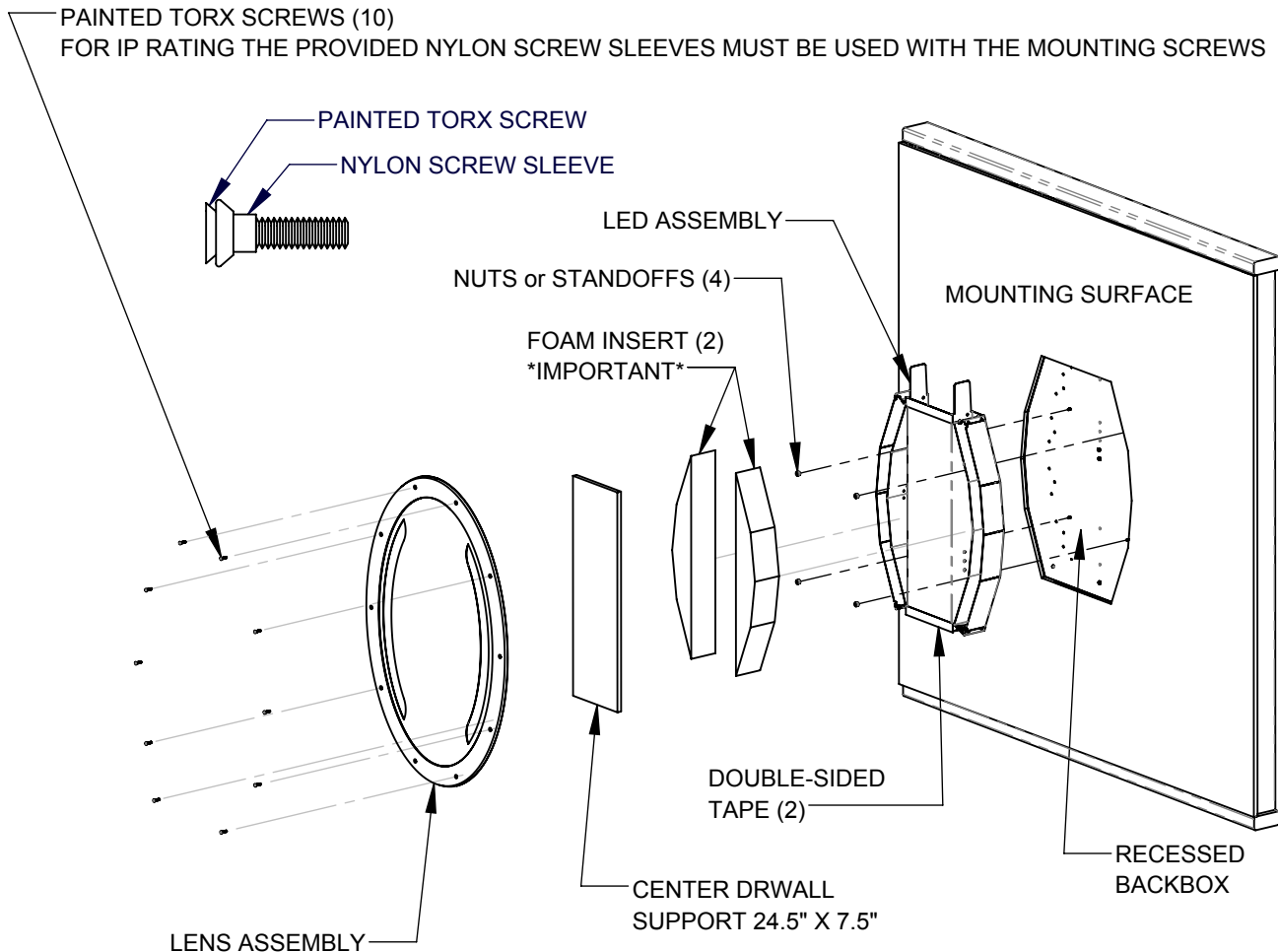
Date Drawn: 10/30/20

INSTALLATION INSTRUCTIONS

Model: **CB1850, CB1852**
Fixture Family: **SOLE**
Document Description: Installation Instructions for
Sole Series Mirrors

VISA LIGHTING
AN OLDENBURG GROUP COMPANY
1717 West Civic Drive Milwaukee, WI 53209
414-354-6600
Design Modification Rights Reserved
© Visa Lighting

CB1852 LED ASSEMBLY AND MIRROR INSTALLATION:



1. Locate the right and left middle top insert nut inside the backbox (see Sheet 7). Using a 1/4" drill, open up a hole in the wallboard centered over the insert nut. Verify you have completely removed the wallboard by starting a lens screw into the insert nuts. Once the top and bottom middle insert nuts are accessible, attach the mirror/frame assembly to the recessed backbox using two screws hand tightened. Once fully seated, mark the remaining screw holes. Remove and set aside the mirror/frame assembly and drill the remaining holes until the threaded inserts are accessible.
2. Wire the LED assembly and reinstall into the recessed back box using nuts or standoffs.
3. Replace foam inserts.
4. Using the saved wallboard cutout, cut an insert piece to fill in the area between the mirror and the LED assembly. Attach using the double-sided tape on the LED assembly.
5. Attach the mirror/frame assembly using the provided screws (10).
6. Apply pickproof caulk bead between wall and mirror around the entire perimeter of lens frame.

When using electrical equipment, basic safety precautions should always be followed, including the following:

- Read all instructions carefully before installing and save for future use.
- Make sure all connections are in accordance with the National Electrical Code and local regulations.
- To avoid possible electric shock, be sure the power supply is turned off before servicing or installing the fixture
- Service should be performed by qualified personnel.
- These instructions may not cover all details or variations. If additional information is needed, please contact Visa Lighting.

Drawing: 762277XX

Rev: H

Sheet: 8 of 8

Eng: CG2

Date Drawn: 10/30/20