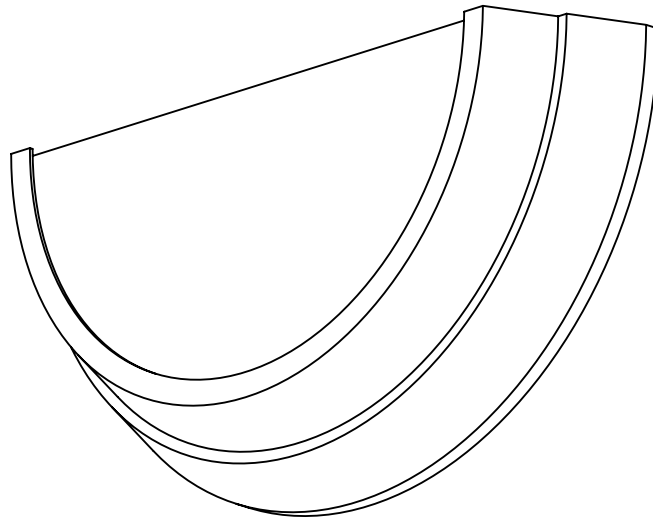


INSTALLATION INSTRUCTIONS

Model: **CB4020**
Fixture Family: **CRESCENT**
Document Description: Installation Instructions for
CRESCENT Series Luminaires

 **VISA LIGHTING**
AN OLDENBURG GROUP COMPANY
1717 West Civic Drive Milwaukee, WI 53209
414-354-6600
Design Modification Rights Reserved
© Visa Lighting 2016



CRESCENT WALL MOUNT

CB4020

Drawing: 762291XX

Rev: A

Sheet: 1 of 2

Eng: CLD

Date Drawn: 10/27/17

 When using electrical equipment, basic safety precautions should always be followed, including the following:

- Read all instructions carefully before installing and save for future use.
- Make sure all connections are in accordance with the National Electrical Code and local regulations.
- To avoid possible electric shock, be sure the power supply is turned off before servicing or installing the fixture.
- Service should be performed by qualified personnel.
- These instructions may not cover all details or variations. If additional information is needed, please contact Visa Lighting.

INSTALLATION INSTRUCTIONS

Model: **CB4020**
Fixture Family: **CRESCENT**
Document Description: Installation Instructions for
CRESCENT Series Luminaires

VISA LIGHTING
AN OLDENBURG GROUP COMPANY
1717 West Civic Drive Milwaukee, WI 53209
414-354-6600
Design Modification Rights Reserved
© Visa Lighting

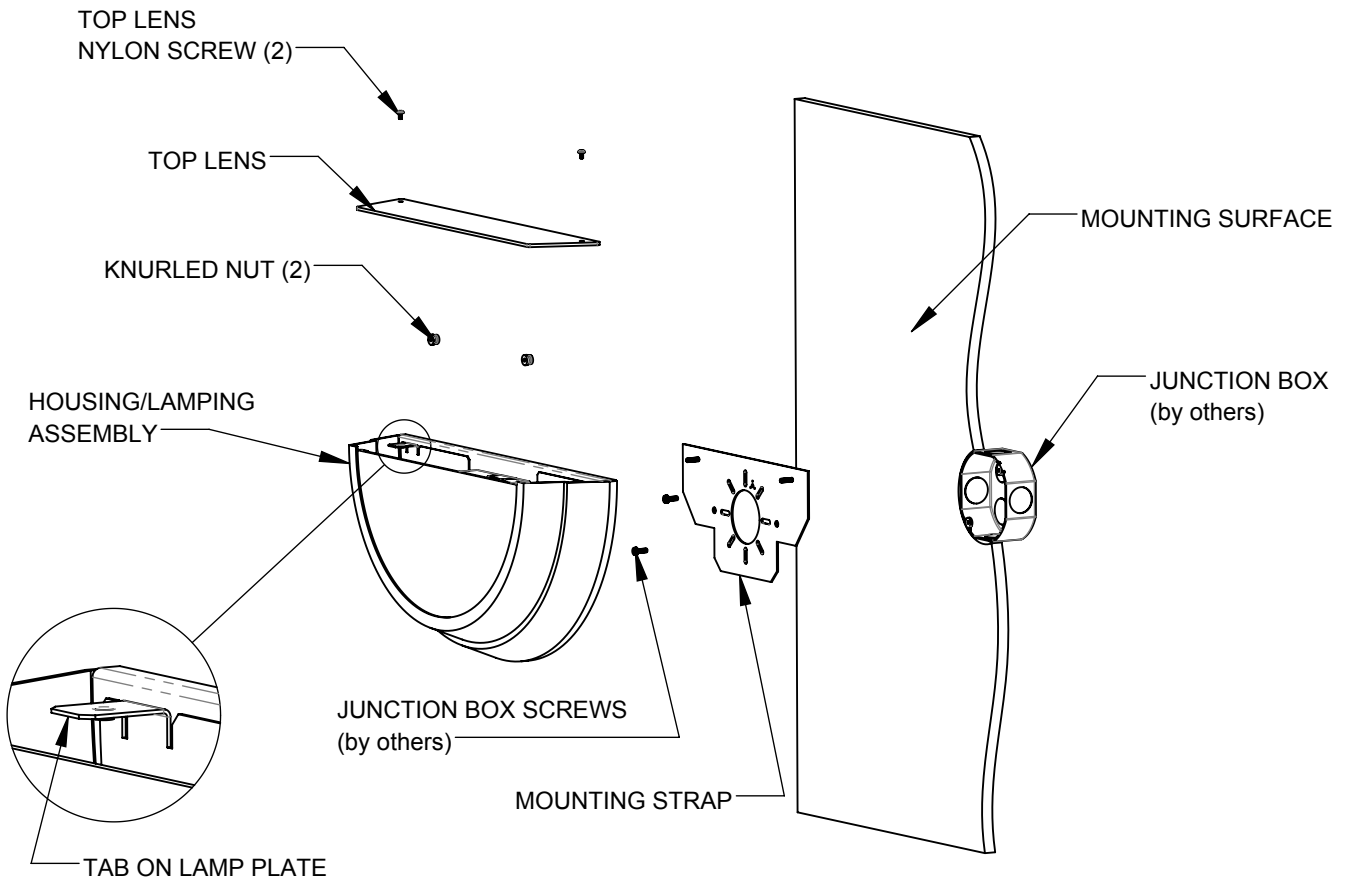
Drawing: 762291XX

Rev: A

Sheet: 2 of 2

Eng: CLD

Date Drawn: 10/27/17



1. Remove the top lens by unscrewing the (2) nylon screws. Reinstall the nylon screws into the tabs to prevent loss.
2. Remove the knurled nuts from the housing/lamping assembly. Remove the mounting strap.
3. Install the mounting strap to the junction box (by others), using the junction box screws (by others).
4. Make all wire connections according to local and national codes.
5. Reinstall the housing/lamping assembly to the mounting strap, making sure not to pinch any of the wires. Tighten knurled nuts.
6. Remove the nylon screws from the tabs, and reinstall the top lens.

When using electrical equipment, basic safety precautions should always be followed, including the following:

- Read all instructions carefully before installing and save for future use.
- Make sure all connections are in accordance with the National Electrical Code and local regulations.
- To avoid possible electric shock, be sure the power supply is turned off before servicing or installing the fixture.
- Service should be performed by qualified personnel.
- These instructions may not cover all details or variations. If additional information is needed, please contact Visa Lighting.