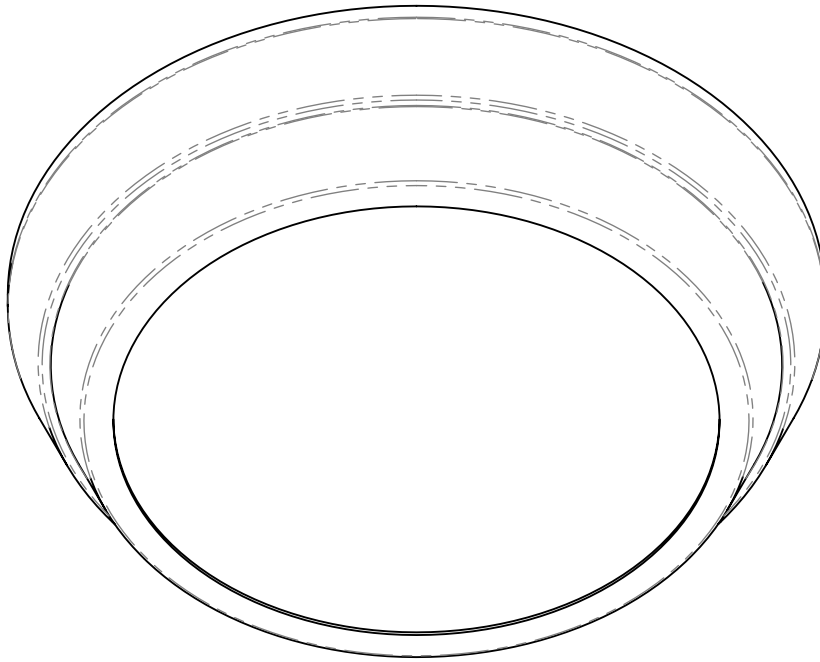


INSTALLATION INSTRUCTIONS

Model: **CM1260**
Fixture Family: **CRESCENT**
Document Description: Installation Instructions for
CRESCENT Series Luminaires

 **VISA LIGHTING**
AN OLDENBURG GROUP COMPANY
1717 West Civic Drive Milwaukee, WI 53209
414-354-6600
Design Modification Rights Reserved
© Visa Lighting 2016



CRESCENT CM

CM1260

Drawing: 762292XX

Rev: A

Sheet: 1 of 2

Eng: CLD

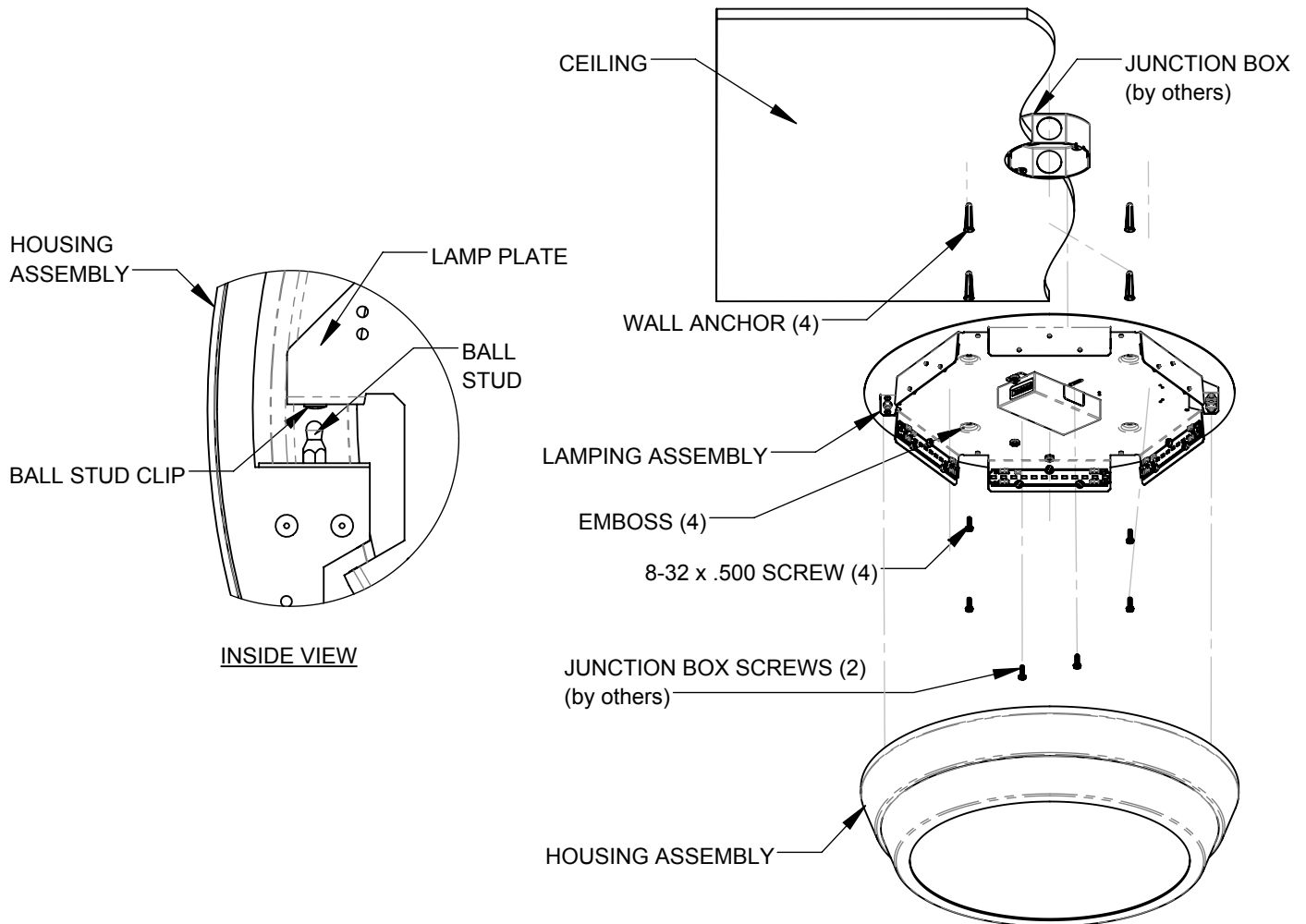
Date Drawn: 10/27/17

- !** When using electrical equipment, basic safety precautions should always be followed, including the following:
- Read all instructions carefully before installing and save for future use.
 - Make sure all connections are in accordance with the National Electrical Code and local regulations.
 - To avoid possible electric shock, be sure the power supply is turned off before servicing or installing the fixture.
 - Service should be performed by qualified personnel.
 - These instructions may not cover all details or variations. If additional information is needed, please contact Visa Lighting.

INSTALLATION INSTRUCTIONS

Model: **CM1260**
Fixture Family: **CRESCENT**
Document Description: Installation Instructions for
CRESCENT Series Luminaires

VISA LIGHTING
AN OLDENBURG GROUP COMPANY
1717 West Civic Drive Milwaukee, WI 53209
414-354-6600
Design Modification Rights Reserved
© Visa Lighting



Drawing: 762292XX

Rev: A

Sheet: 2 of 2

Eng: CLD

Date Drawn: 10/27/17

1. Remove housing assembly from lamping assembly by twisting the housing to release the ball studs on the housing.
2. Attach lamping assembly to junction box (by others), with 8-32 screws (by others). Mark holes for wall anchors (4) located in the embosses. Remove lamping assembly from junction box. Use a 5/16" drill bit and drill out the holes in the mounting surface for the wall anchors. Install anchors.
3. Make all wire connections per local and national codes.
4. Reinstall the lamping assembly to junction box with screws (by others), and mounting surface using 8-32 x .500 screws which are provided.
5. Re-attach housing assembly to lamping assembly by lining up the ball studs with the ball stud clip. Using a twisting motion until it snaps into place on both sides.
6. Check housing assembly to make sure it is not loose.

When using electrical equipment, basic safety precautions should always be followed, including the following:

- Read all instructions carefully before installing and save for future use.
- Make sure all connections are in accordance with the National Electrical Code and local regulations.
- To avoid possible electric shock, be sure the power supply is turned off before servicing or installing the fixture.
- Service should be performed by qualified personnel.
- These instructions may not cover all details or variations. If additional information is needed, please contact Visa Lighting.