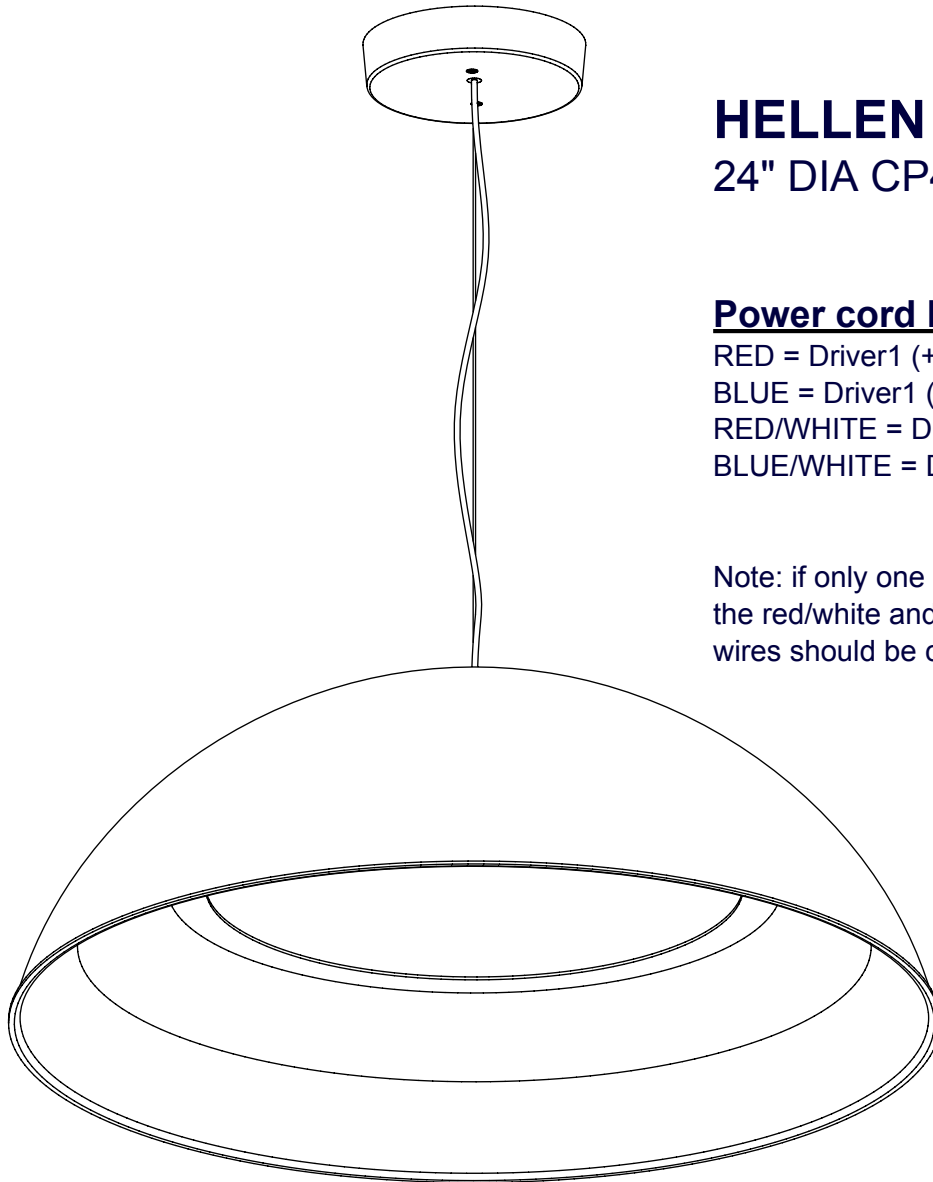


INSTALLATION INSTRUCTIONS

Model: **CP4408, CP4410, CP4412**
Fixture Family: **Hellen**
Document Description: Installation Instructions for
LED Series Luminaires

VISA LIGHTING
AN OLDENBURG GROUP COMPANY
1717 West Civic Drive Milwaukee, WI 53209
414-354-6600
Design Modification Rights Reserved
© Visa Lighting 2016



HELLEN 24" DIA CP4410 Shown

Power cord has 4 conductors:

RED = Driver1 (+)
BLUE = Driver1 (-)
RED/WHITE = Driver2 (+)
BLUE/WHITE = Driver2 (-)

Note: if only one driver is in the canopy,
the red/white and blue/white 'Driver2'
wires should be capped off.

Drawing: 762340XX

Rev: B

Sheet: 1 of 2

Eng: AJM

Date Drawn: 9/1/20

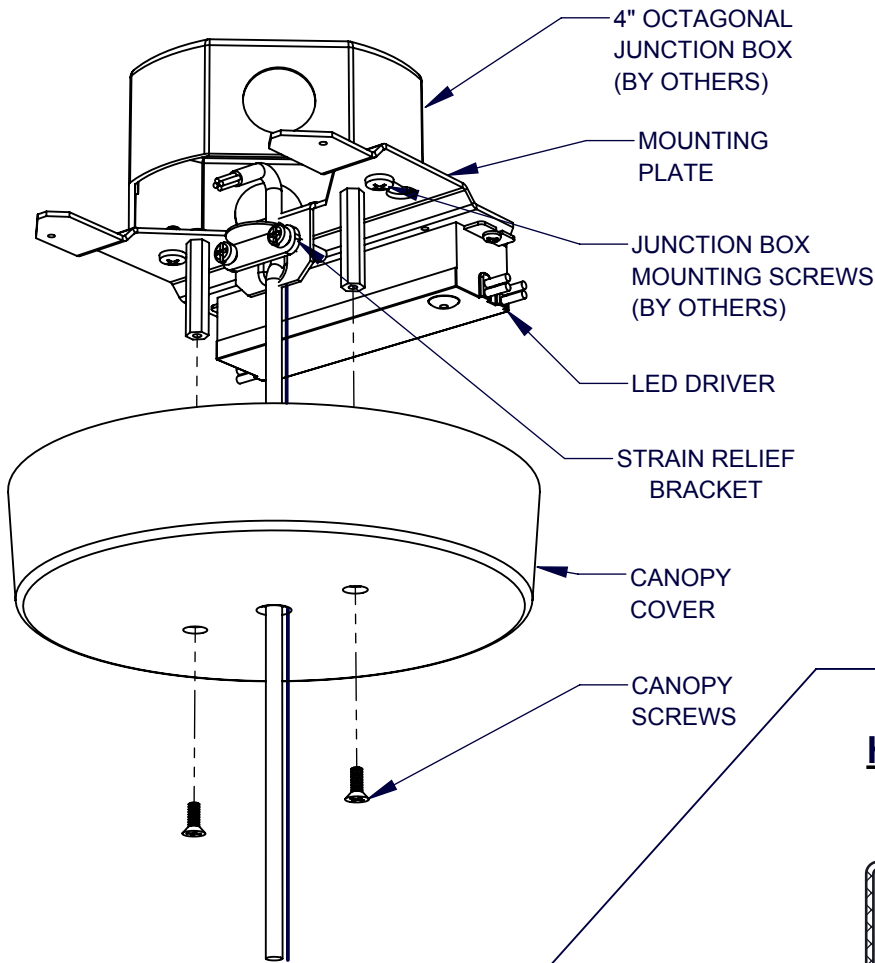
! When using electrical equipment, basic safety precautions should always be followed, including the following:

- Read all instructions carefully before installing and save for future use.
- Make sure all connections are in accordance with the National Electrical Code and local regulations.
- To avoid possible electric shock, be sure the power supply is turned off before servicing or installing the fixture.
- Service should be performed by qualified personnel.
- These instructions may not cover all details or variations. If additional information is needed, please contact Visa Lighting.

INSTALLATION INSTRUCTIONS

Model: **CP4408, CP4410, CP4412**
 Fixture Family: **Hellen**
 Document Description: Installation Instructions for
 LED Series Luminaires

VISA LIGHTING
 AN OLDENBURG GROUP COMPANY
 1717 West Civic Drive Milwaukee, WI 53209
 414-354-6600
 Design Modification Rights Reserved
 © Visa Lighting

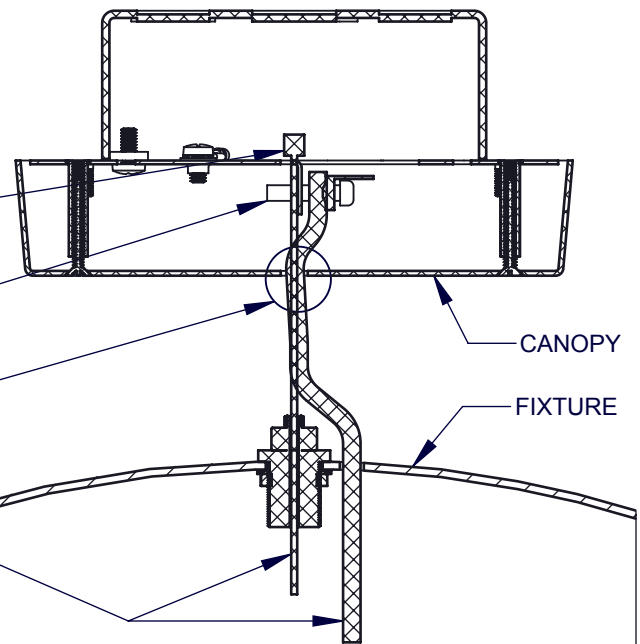


Fixture canopy mounting:

1. Fasten mounting plate to junction box with the junction box mounting screws (by others).
2. Make all wire connections per local and national codes.
3. Lift Canopy in place and secure with canopy screws.

Height Adjustment tips:

- Swage on end of support cable holds up weight of fixture through mounting plate.
- Loosen/ tighten strain relief bracket screws to shorten the power cord.
- Support cable and cord enter through same hole in the canopy cover.
- Support cable and power cord can be pushed into the fixture to shorten the suspension height.



When using electrical equipment, basic safety precautions should always be followed, including the following:

- Read all instructions carefully before installing and save for future use.
- Make sure all connections are in accordance with the National Electrical Code and local regulations.
- To avoid possible electric shock, be sure the power supply is turned off before servicing or installing the fixture.
- Service should be performed by qualified personnel.

• These instructions may not cover all details or variations. If additional information is needed, please contact Visa Lighting.

Drawing: 762340XX

Rev: B

Sheet: 2 of 2

Eng: AJM

Date Drawn: 9/1/20