

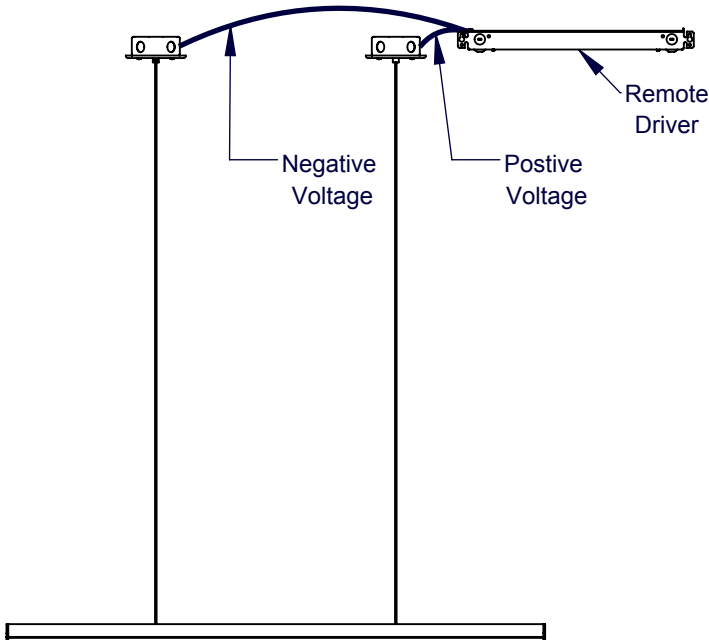
# INSTALLATION INSTRUCTIONS

Model: **CP1350**  
 Fixture Family: **RAE**  
 Document Description: Installation Instructions for  
 LED Series Luminaires

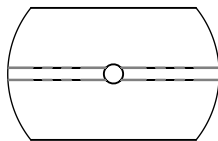
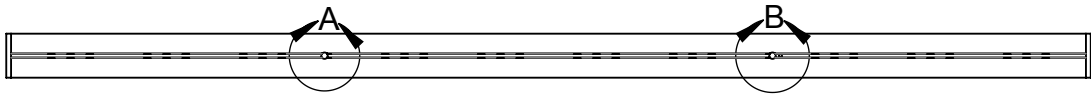
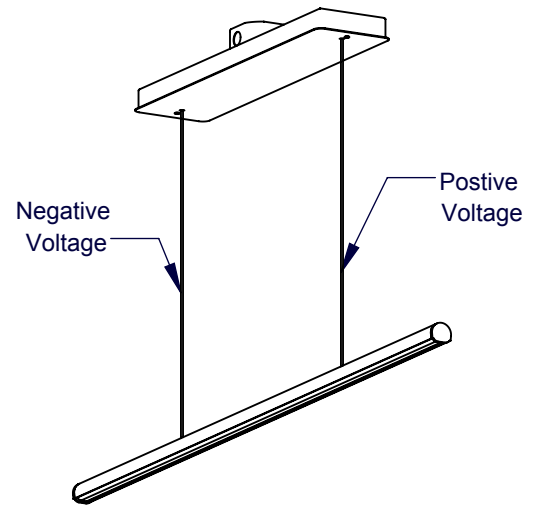
**VISA LIGHTING**  
 AN OLDENBURG GROUP COMPANY  
 1717 West Civic Drive Milwaukee, WI 53209  
 414-354-6600  
 Design Modification Rights Reserved  
 © Visa Lighting 2016

## RAE CP1350- Length

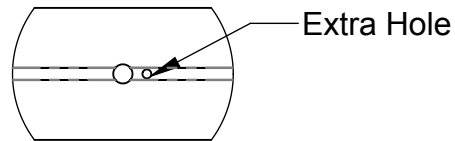
### REMOTE MOUNTED DRIVER (RMD)



### SURFACE DRIVER CANOPY (SDC)



**DETAIL A**  
 Negative Voltage (V-)  
 No extra hole



**DETAIL B**  
 Positive Voltage (V+)  
 Extra hole

Drawing: 762345XX

Rev: A

Sheet: 1 of 5

Eng: AJM

Date Drawn: 10/15/20



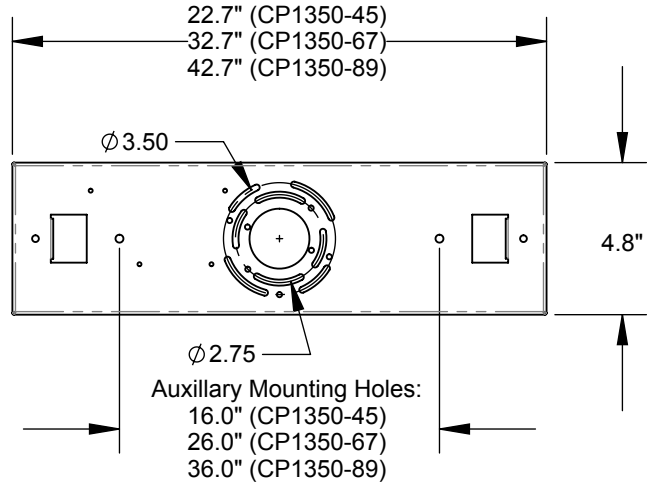
- When using electrical equipment, basic safety precautions should always be followed, including the following:
- Read all instructions carefully before installing and save for future use.
  - Make sure all connections are in accordance with the National Electrical Code and local regulations.
  - To avoid possible electric shock, be sure the power supply is turned off before servicing or installing the fixture.
  - Service should be performed by qualified personnel.
  - These instructions may not cover all details or variations. If additional information is needed, please contact Visa Lighting.

# INSTALLATION INSTRUCTIONS

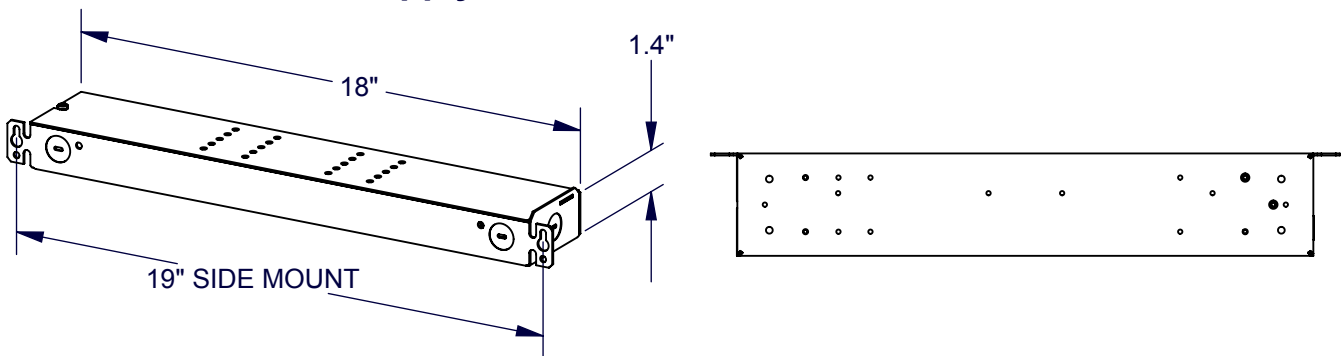
Model: **CP1350**  
 Fixture Family: **RAE**  
 Document Description: Installation Instructions for  
 LED Series Luminaires

## Dimensions

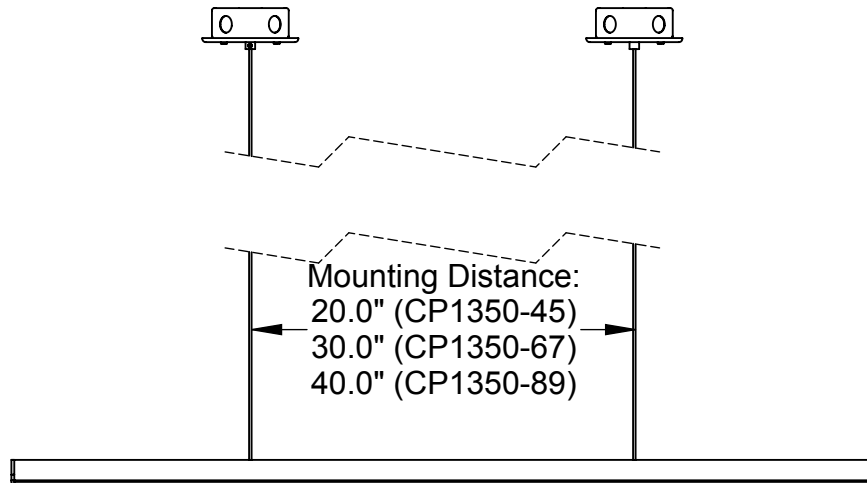
**SDC Option:**  
**Canopy size varies**  
**with length of fixture**



## **RMD: Remote Power Supply Box**



## **RMD: Distance between canopies varies with length of fixture**



Drawing: 762345XX

Rev: A

Sheet: 2 of 5

Eng: AJM

Date Drawn: 10/15/20

- !** When using electrical equipment, basic safety precautions should always be followed, including the following:
- Read all instructions carefully before installing and save for future use.
  - Make sure all connections are in accordance with the National Electrical Code and local regulations.
  - To avoid possible electric shock, be sure the power supply is turned off before servicing or installing the fixture.
  - Service should be performed by qualified personnel.
  - These instructions may not cover all details or variations. If additional information is needed, please contact Visa Lighting.

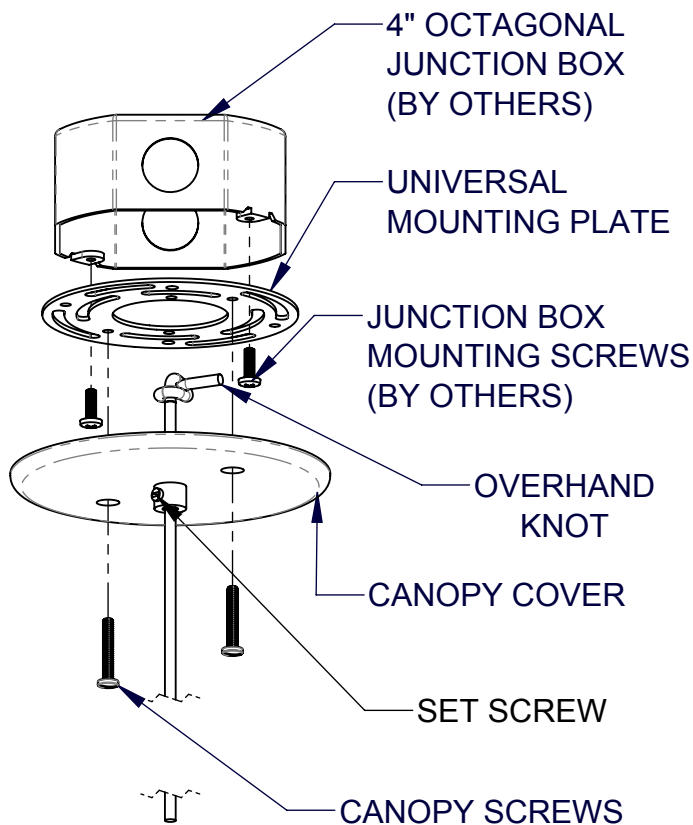
# INSTALLATION INSTRUCTIONS

Model: **CP1350**  
Fixture Family: **RAE**  
Document Description: Installation Instructions for  
LED Series Luminaires

**VISA LIGHTING**  
AN OLDENBURG GROUP COMPANY  
1717 West Civic Drive Milwaukee, WI 53209  
414-354-6600  
Design Modification Rights Reserved  
© Visa Lighting 2016

## RMD - Fixture Mounting

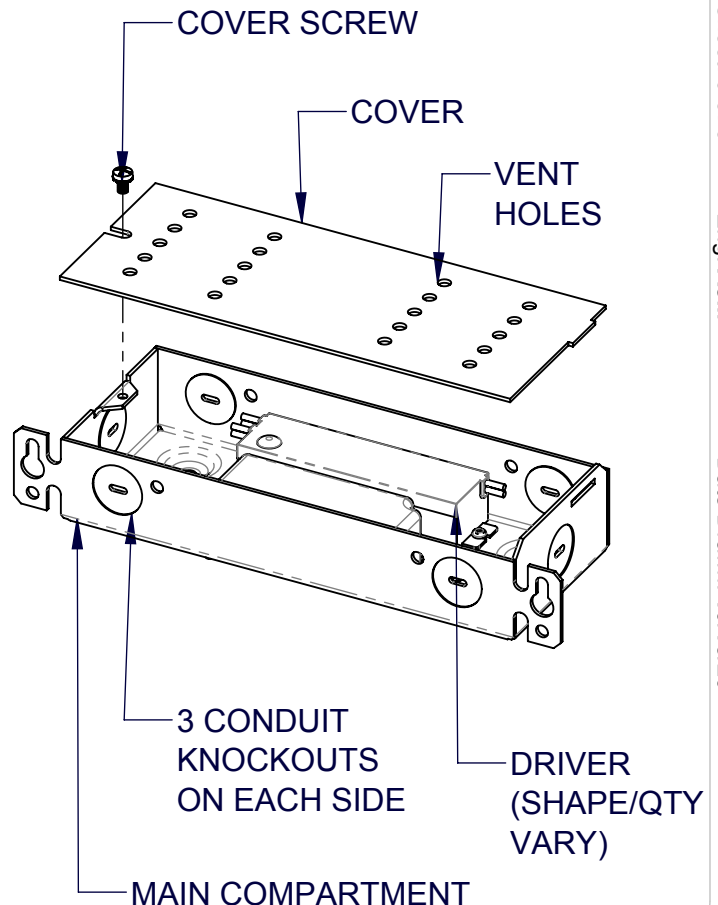
1. Fasten universal mounting plate to junction box with the junction box mounting screws (by others).
2. Adjust the height of the fixture by tightening the set screw on the side of the strain relief.
3. Ensure that an Overhand Knot is above the strain relief to prevent catastrophic failures.
4. Make all wire connections per local and national codes.
5. Lift Canopy in place and secure with canopy screws.



## RMD - Driver box mounting

Components may vary depending on options ordered.

1. Remove cover by removing the cover screw.
2. Mount remote box in an accessible area per local and national codes, use fasteners appropriate for the mounting surface (not included).
3. Make all wire connections per local and national codes.



Drawing: 762345XX

Rev: A

Sheet: 3 of 5

Eng: AJM

Date Drawn: 10/15/20

When using electrical equipment, basic safety precautions should always be followed, including the following:

- Read all instructions carefully before installing and save for future use.
- Make sure all connections are in accordance with the National Electrical Code and local regulations.
- To avoid possible electric shock, be sure the power supply is turned off before servicing or installing the fixture.
- Service should be performed by qualified personnel.
- These instructions may not cover all details or variations. If additional information is needed, please contact Visa Lighting.

# INSTALLATION INSTRUCTIONS

Model: **CP1350**  
Fixture Family: **RAE**  
Document Description: Installation Instructions for  
LED Series Luminaires

**VISA LIGHTING**  
AN OLDENBURG GROUP COMPANY  
1717 West Civic Drive Milwaukee, WI 53209  
414-354-6600  
Design Modification Rights Reserved  
© Visa Lighting 2016

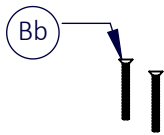
## SDC option mounting:

### Canopy Parts

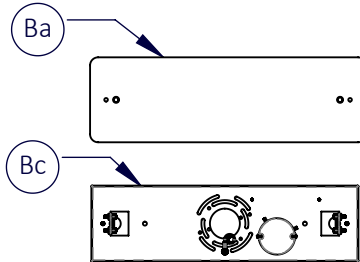
**Ba** - Cover

**Bb** - Canopy Kit

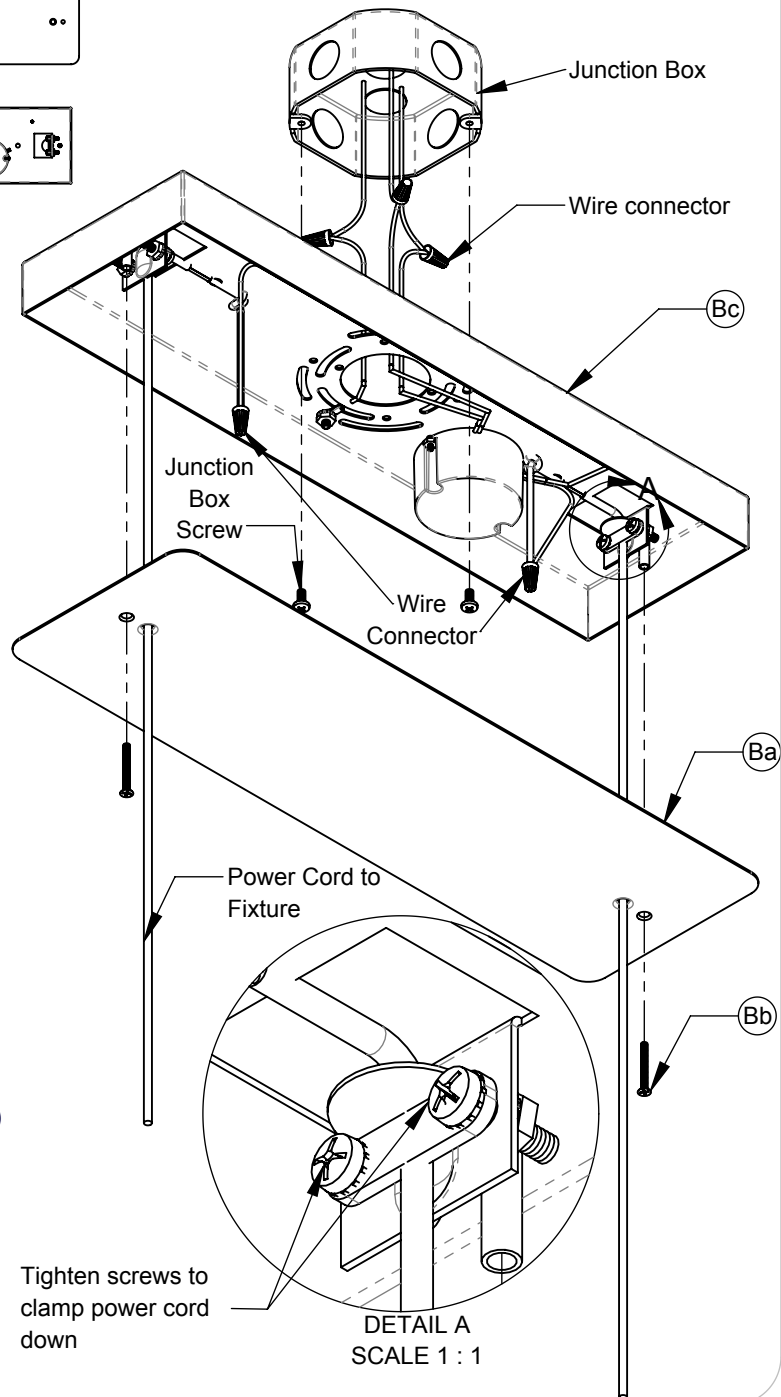
**Bc** - Cover Screws



Components may vary depending on options ordered.



1. Remove the Cover Screws (Bb) and Cover (Ba). Save for later.
2. Fasten the Canopy Kit (Bc) assembly to junction box (screws provided by others).
3. Connect the White, Black and Green wires per local and national codes and then push them into the junction box. Connect the Purple and Gray 0-10V dimming wires or cap them off.
4. Pull the fixture power cords through the two holes in the cover (Ba) and through the clamp on each side of the canopy kit (Bc). Tighten screws on each clamp to hold power cord down and support the weight of the fixture.
5. Tie an overhand knot on both sides - to prevent the fixture from falling if excess weight is applied to the fixture. See Sheet 5 for further detail.
6. Connect the driver to the (2) fixture power cords. Each power cord has a single conductor. One cord for (V+) and another for (V-). The (V+) cord will have an extra hole where it exits from the fixture (see Sheet 1).
6. Lift the Cover (Ba) in place and reinstall the screws (Bb) that were removed in step 1.



Drawing: 762345XX

Rev: A

Sheet: 4 of 5

Eng: AJM

Date Drawn: 10/15/20

When using electrical equipment, basic safety precautions should always be followed, including the following:

- Read all instructions carefully before installing and save for future use.
- Make sure all connections are in accordance with the National Electrical Code and local regulations.
- To avoid possible electric shock, be sure the power supply is turned off before servicing or installing the fixture.
- Service should be performed by qualified personnel.
- These instructions may not cover all details or variations. If additional information is needed, please contact Visa Lighting.

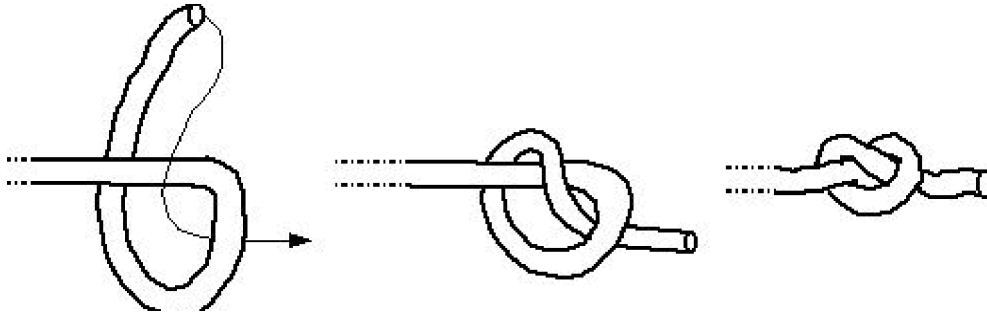
# INSTALLATION INSTRUCTIONS

Model: CP1350  
Fixture Family: RAE  
Document Description: Installation Instructions for  
LED Series Luminaires

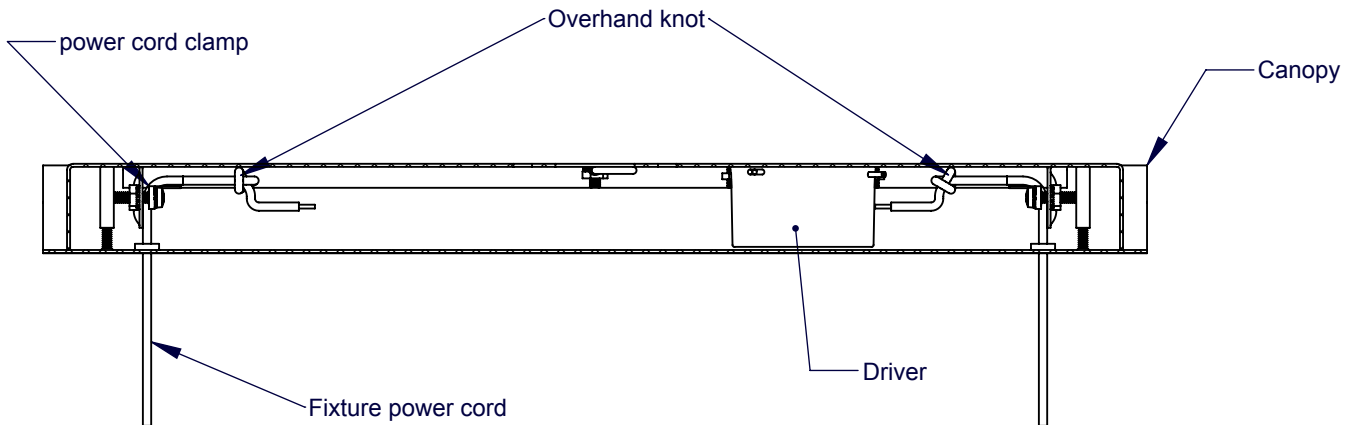
**VISA LIGHTING**  
AN OLDENBURG GROUP COMPANY  
1717 West Civic Drive Milwaukee, WI 53209  
414-354-6600  
Design Modification Rights Reserved  
© Visa Lighting 2016

## SDC option mounting: Overhand knot detail

### How to tie an Overhand knot:



### Overhand knot location:



Drawing: 762345XX

Rev: A

Sheet: 5 of 5

Eng: AJM

Date Drawn: 10/15/20

When using electrical equipment, basic safety precautions should always be followed, including the following:

- Read all instructions carefully before installing and save for future use.
- Make sure all connections are in accordance with the National Electrical Code and local regulations.
- To avoid possible electric shock, be sure the power supply is turned off before servicing or installing the fixture.
- Service should be performed by qualified personnel.
- These instructions may not cover all details or variations. If additional information is needed, please contact Visa Lighting.